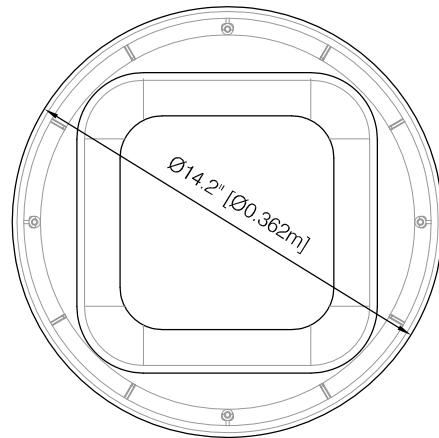
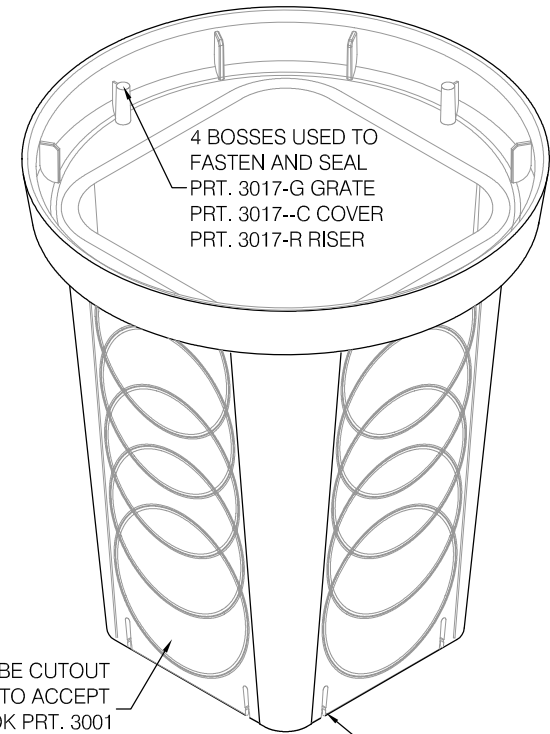


Bottom View



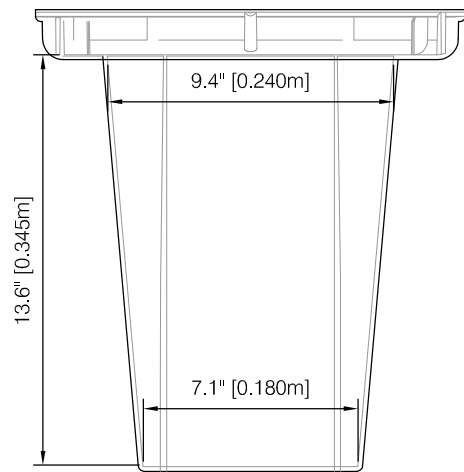
Top View



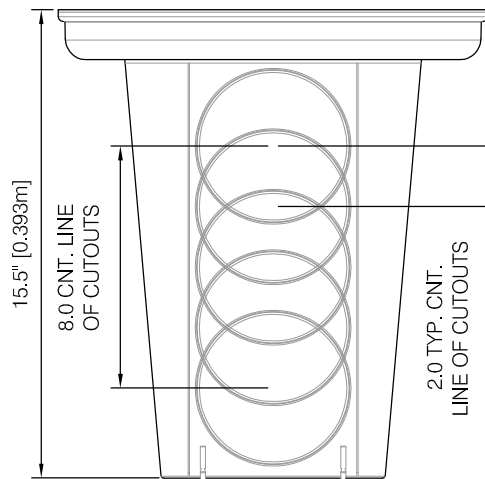
4 BOSSES USED TO FASTEN AND SEAL
 PRT. 3017-G GRATE
 PRT. 3017--C COVER
 PRT. 3017-R RISER

HOLES TO BE CUTOUT AS NEEDED TO ACCEPT POLYLOK PRT. 3001 D-BOX SEAL

SLOTS TO ACCEPT 4 LEVELING PADS POLYLOK PRT. 3017-12F



Section A - A



Front side view

Note:

Material - Polypropylene
Color - Black
Capacity - 4 Gallons



A Subsidiary of Northern Vac Services Ltd.
 P.O. Box 6868
 Fort St. John, B.C., V1J-4J3
 Phone: (250) 785-3382
 Fax: (250) 785-3381
 Email: nvac@shaw.ca

Project:		
POLYLOK 12 inch D-BOX PART No. 3017		
Drawn:	DVT	Checked by: CL
Date:	Apr 2016	Cert # —
Dwg No.	---	Rev: 0



A Division of Northern Vac Services Ltd.
 4665 Collier Place
 Williams Lake, B.C., V2G-5E0
 Phone: (250) 392-3169
 Fax: (250) 392-3176
 Web: www.grossoprecast.com