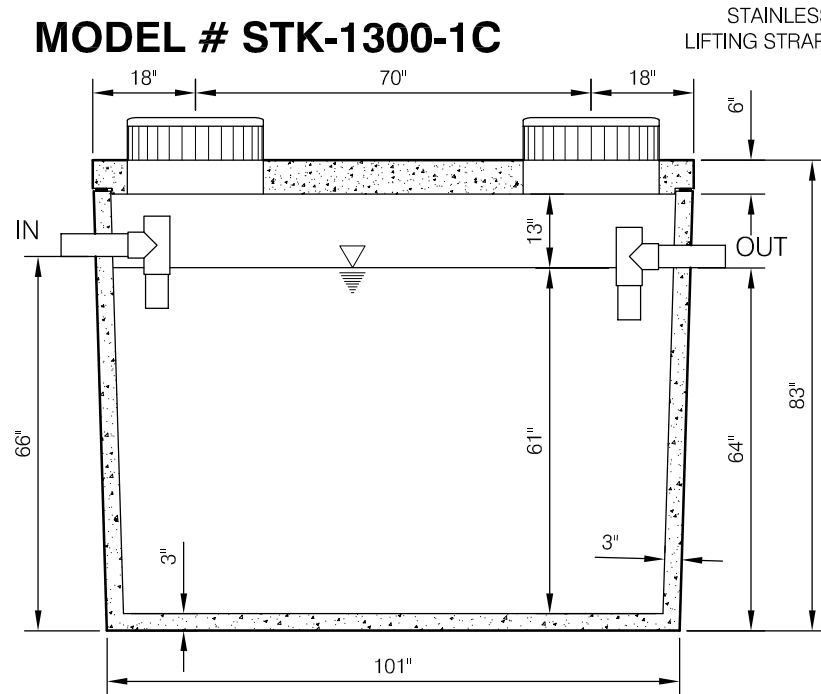
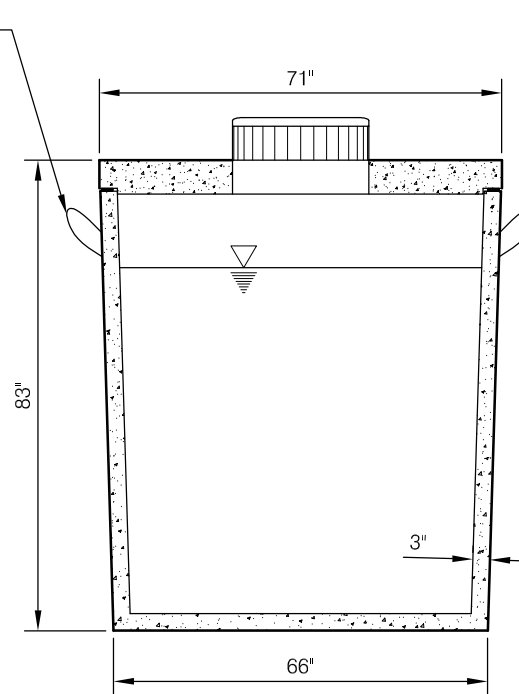


# MODEL # STK-1300-1C



**SECTION VIEW**



**SIDE VIEW**

## Design Data

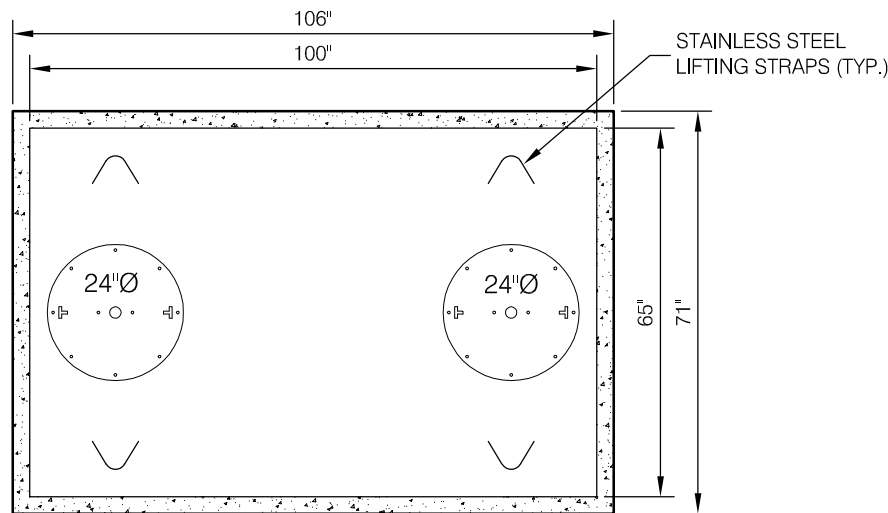
- 1st COMP - 1300 Imp Gal
- TOTAL VOLUME - 1300 Imp Gal
- DRAW DOWN - 21.3 Imp Gal
- GASKET - 1" Conseal
- INLET & OUTLET c/w POLY-LOK RUBBER BOOT
- 2 - 24" PVC LIDS AND RISERS

## Concrete Strength

30mpa @ 28 days.  
USE IN SULPHATE & NON SULPHATE SOILS.

## Dimensions

- WIDTH: 71"
- LENGTH: 106"
- HEIGHT: 83"
- INLET: 66"
- OUTLET: 64"



**TOP VIEW**

STANDARD LIDS ARE RATED FOR 1.0m OF COVER WITH A SAFETY FACTOR OF 2.1. DEEPER BURIAL REQUIRES CONSULTATION BY GROSSO PRE-CAST.



A Division of Northern Vac Services Ltd.

4665 Collier Place  
Williams Lake, B.C., V2G-5E0  
Phone: (250) 392-3169  
Fax: (250) 392-3176  
Web: www.grossoprecast.com



A Subsidiary of Northern Vac Services Ltd.

P.O. Box 6868  
Fort St. John, B.C., V1J-4J3  
Phone: (250) 785-3382  
Fax: (250) 785-3381  
Email: nvac@shaw.ca

**1300-GAL (5902 litres)  
1-COMP SEPTIC TANK  
LID 4,000 lbs: TANK 9,300 lbs:  
TOTAL 13,000 lbs**

Drawn:	DT	Dwg No.	114
Date:	January 25 / 2012	Cert #	356
		Rev:	0