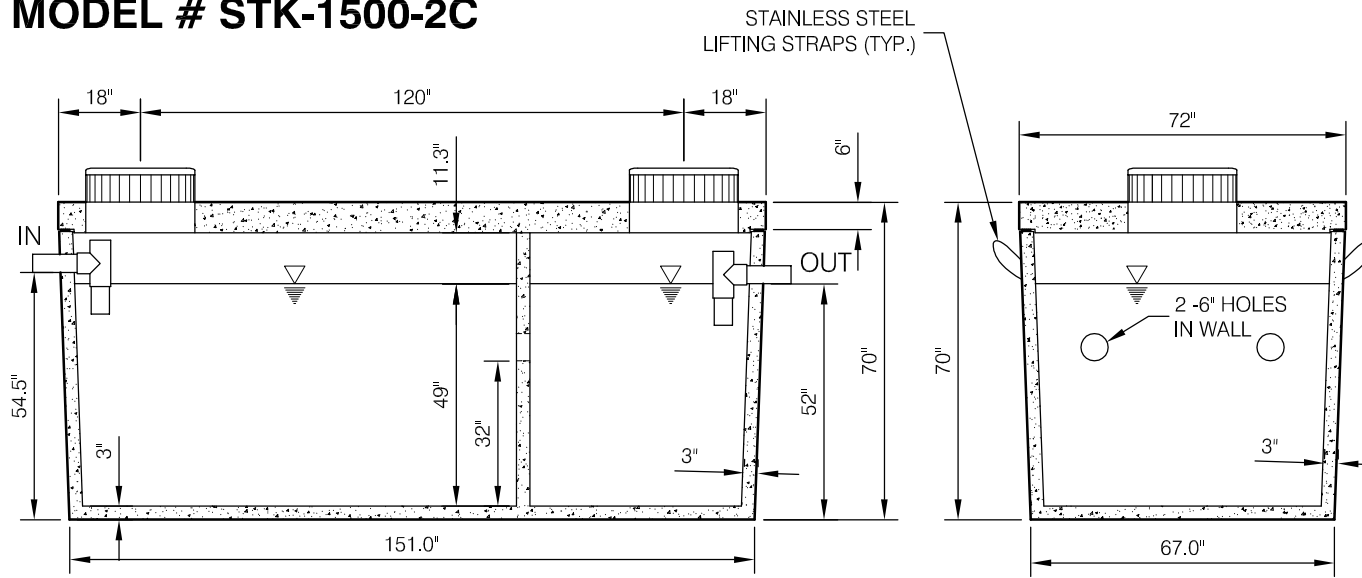
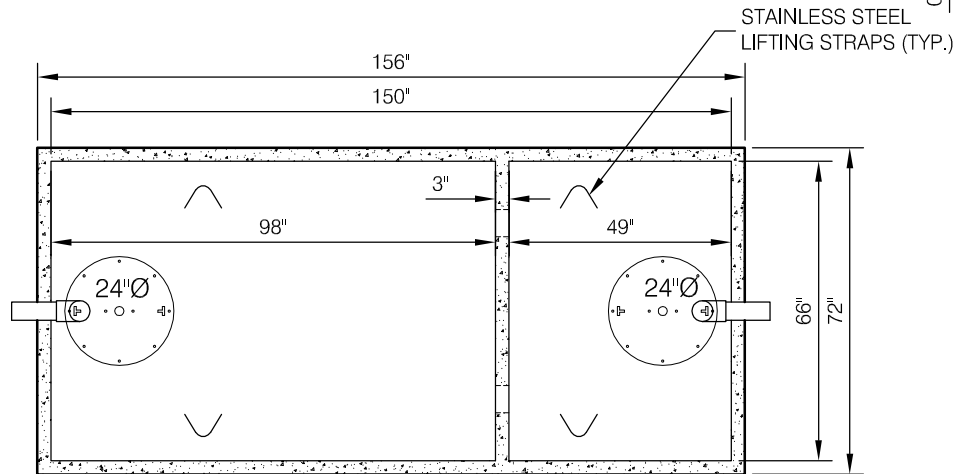
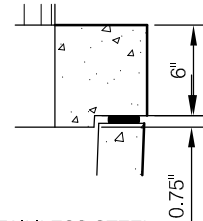


MODEL # STK-1500-2C



SECTION VIEW

SIDE VIEW



TOP VIEW

STANDARD LIDS ARE RATED FOR 1.0m OF COVER WITH A SAFETY FACTOR OF 2.1. DEEPER BURIAL REQUIRES CONSULTATION BY GROSSO PRE-CAST.

Design Data

- 1st COMP - 1050 Imp Gal
- 2nd COMP - 430 Imp Gal
- TOTAL VOLUME - 1480 Imp Gal
- DRAW DOWN - 30.20 Imp Gal/in
- GASKET - 1" Conseal
- INLET & OUTLET c/w POLY-LOK RUBBER BOOT
- 2 - 24" PVC LIDS AND RISERS

Concrete Strength

30mpa @ 28 days.
USE IN SULPHATE & NON SULPHATE SOILS.

Dimensions

- WIDTH: 72"
- LENGTH: 156"
- HEIGHT: 70"
- INLET: 54.5"
- OUTLET: 52"



A Division of Northern Vac Services Ltd.

4665 Collier Place
Williams Lake, B.C., V2G-5E0
Phone: (250) 392-3169
Fax: (250) 392-3176
Web: www.grossoprecast.com



A Subsidiary of Northern Vac Services Ltd.

P.O. Box 6868
Fort St. John, B.C., V1J-4J3
Phone: (250) 785-3382
Fax: (250) 785-3381
Email: nvac@shaw.ca

**1500-GAL (6810 litres)
2-COMP SEPTIC TANK
LID 5,850 lbs: TANK 11,000 lbs:
TOTAL 16,850 lbs**

Drawn:	DT	Dwg No.	117
Date:	February 18 / 2012	Cert #	---
		Rev:	0