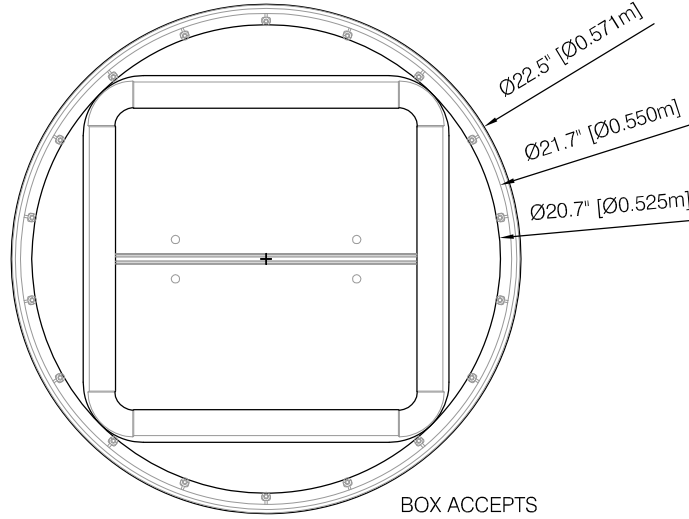
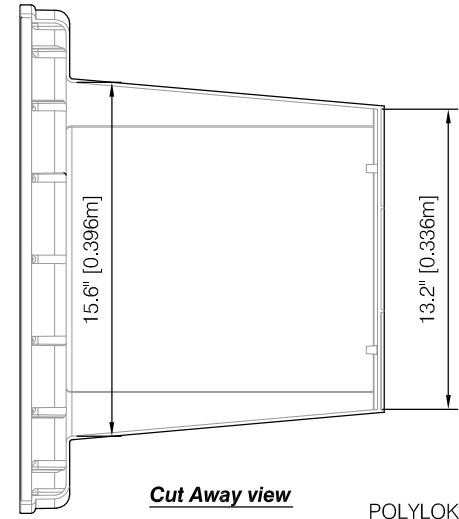


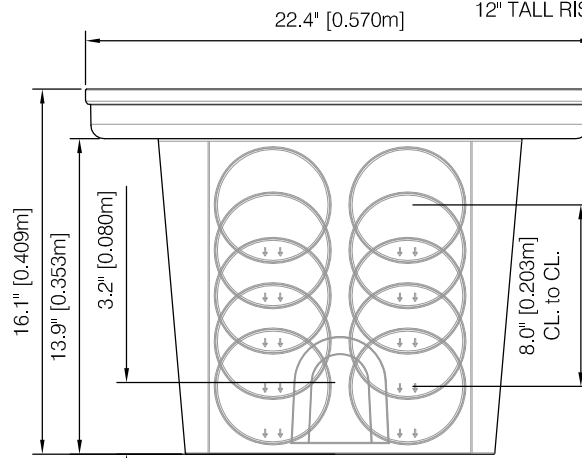
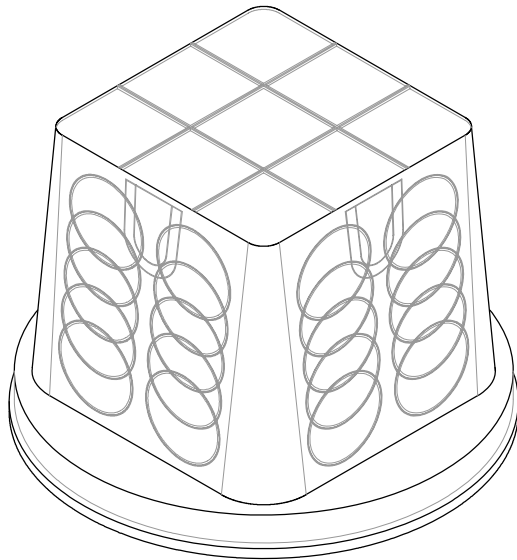
Bottom View



Top View



Cut Away view

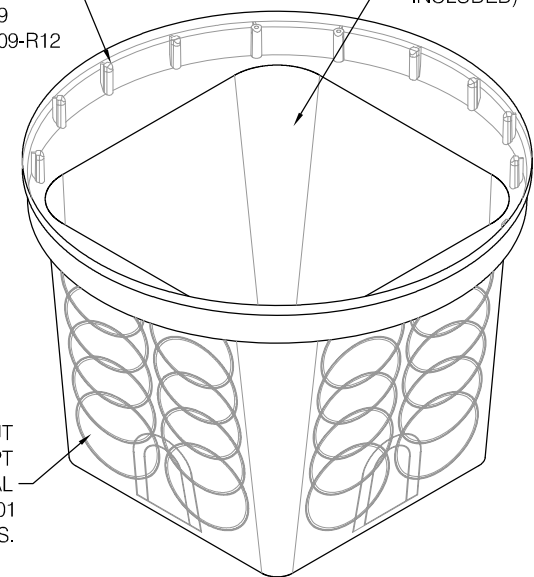


Front side view

BOX ACCEPTS
 LIGHT COVER - PRT. No. 3009C
 HEAVEY COVER - PRT. No. 3017-C20
 GRATE - PRT. No. 3017-G20
 6" TALL RISER - PRT. No. 3009
 12" TALL RISER - PRT. No. 3009-R12

POLYLOK SEAL ASSEMBLY
 PRT. No. 3001
 (4 SEAL ASSEMBLIES
 INCLUDED)

SIDE CUT OUT
 TO ACCEPT
 POLYLOK SEAL
 PRT. No. 3001
 TYP. 40 PLCS.



Note:

Material - Polypropylene
Color - Black
Capacity - 15 Gallons



A Subsidiary of Northern Vac Services Ltd.
 P.O. Box 6868
 Fort St. John, B.C., V1J-4J3
 Phone: (250) 785-3382
 Fax: (250) 785-3381
 Email: nvac@shaw.ca

Project:

POLYLOK 20 inch D-BOX
PART No. 3017-20

Drawn:	DVT	Checked by:	CL	Dwg No.	---
Date:	Apr 2016	Cert #	---	Rev:	0



A Division of Northern Vac Services Ltd.
 4665 Collier Place
 Williams Lake, B.C., V2G-5E0
 Phone: (250) 392-3169
 Fax: (250) 392-3176
 Web: www.grossoprecast.com