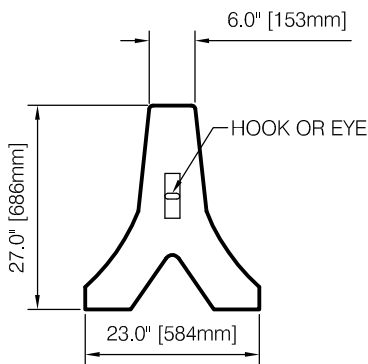
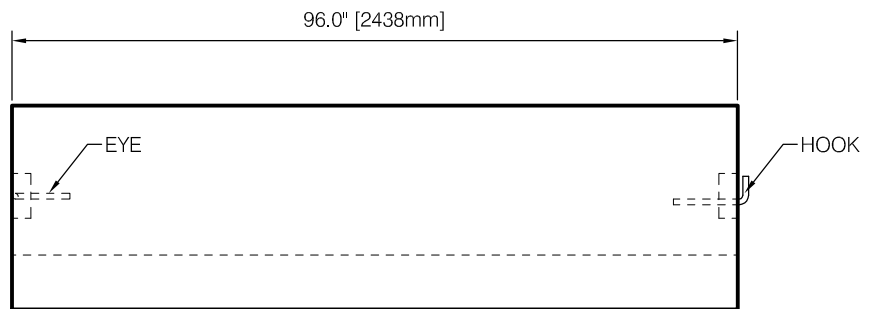


ISOMETRIC VIEW



END VIEW



SIDE VIEW

Notes:

1. 30 MPa @ 28 days.
2. FIBRILATED FIBRE STRAND REINFORCED CONCRETE



A Subsidiary of Northern Vac Services Ltd.

P.O. Box 6868
 Fort St. John, B.C., V1J-4J3
 Phone: (250) 785-3382
 Fax: (250) 785-3381
 Email: nvac@shaw.ca

**27" FORESTRY BARRIER
 2700 lbs**

Drawn:	DVT	Checked by:	CL	Dwg No.	911
Date:	March 2016	Cert #	—	Rev:	0



A Division of Northern Vac Services Ltd.

4665 Collier Place
 Williams Lake, B.C., V2G-5E0
 Phone: (250) 392-3169
 Fax: (250) 392-3176
 Web: www.grossoprecast.com