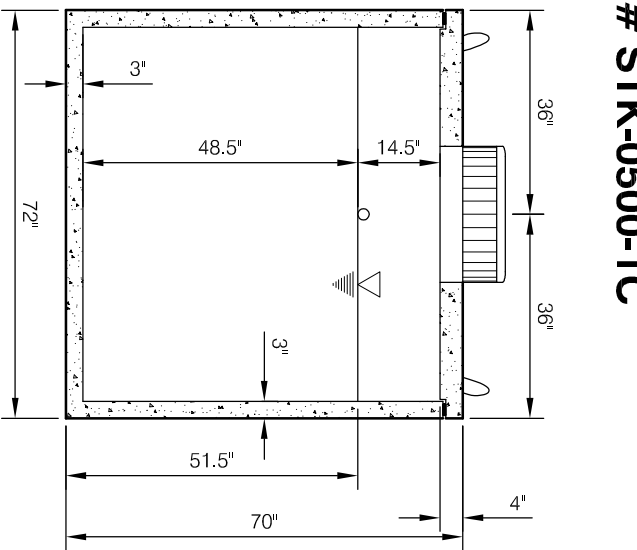
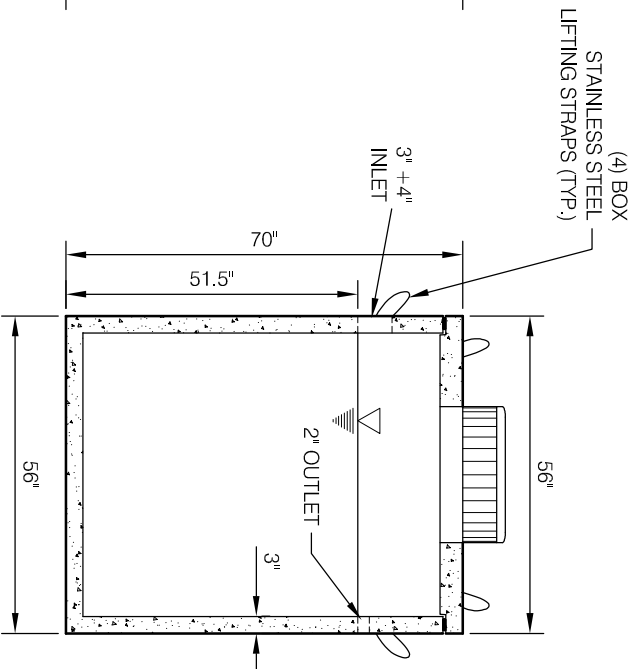


MODEL # STK-0500-1C



SECTION VIEW



SIDE VIEW

Design Data

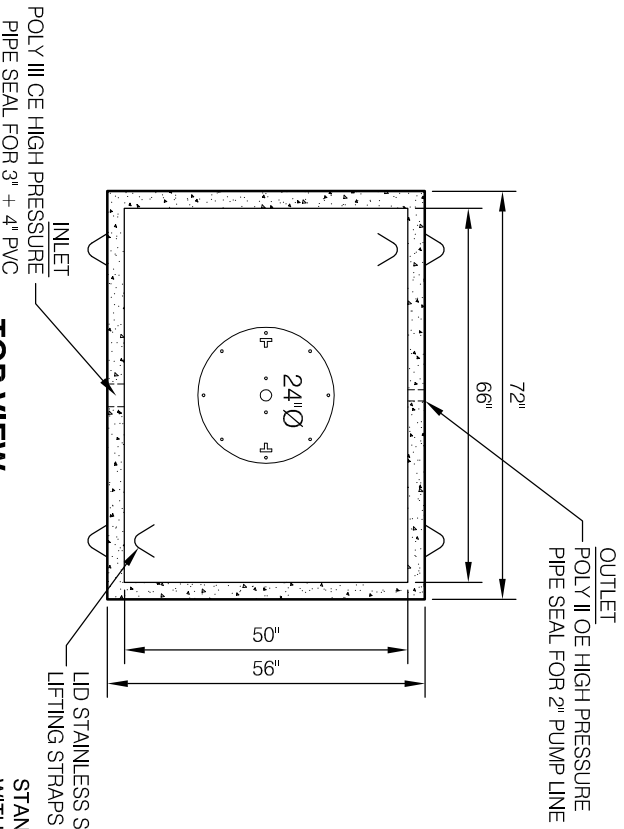
- 1st COMP - 500 Imp Gal
- TOTAL VOLUME - 500 Imp Gal
- GASKET - 1" Conesal
- INLET & OUTLET c/w POLY-LOK RUBBER BOOT
- 1 - 24" PVC LID AND RISER

Concrete Strength

30mpa @ 28 days.
USE IN SULPHATE & NON SULPHATE SOILS.

Dimensions

- WIDTH: 72"
- LENGTH: 56"
- HEIGHT: 70"
- INLET: 51.5"
- OUTLET: 51.5"



TOP VIEW

STANDARD LIDS ARE RATED FOR 1.0m OF COVER WITH A SAFETY FACTOR OF 2:1. DEEPER BURIAL REQUIRES CONSULTATION BY GROSSO PRE-CAST.



A Division of Northern Vac Services Ltd.
4665 Collier Place
Williams Lake, B.C., V2G-5E0
Phone: (250) 392-3169
Fax: (250) 392-3176
www.grossoconcrete.com

A Subsidiary of Northern Vac Services Ltd.
P.O. Box 6868
Fort St. John, B.C., V1J-4J3
Phone: (250) 785-3882
Fax: (250) 785-3881
Email: nvac@straw.ca

**500-GAL (2270 litres)
1-COMP PUMP CHAMBER
LID 1,500 lbs: TANK 5,000 lbs:
TOTAL 6,500 lbs**

Drawn:	DT	Dwg No.:	102
Date:	February 15 / 2012	Rev:	0

POLY III CE HIGH PRESSURE
PIPE SEAL FOR 3" + 4" PVC

INLET

OUTLET
POLY III CE HIGH PRESSURE
PIPE SEAL FOR 2" PUMP LINE

LID STAINLESS STEEL
LIFTING STRAPS (TYP.)