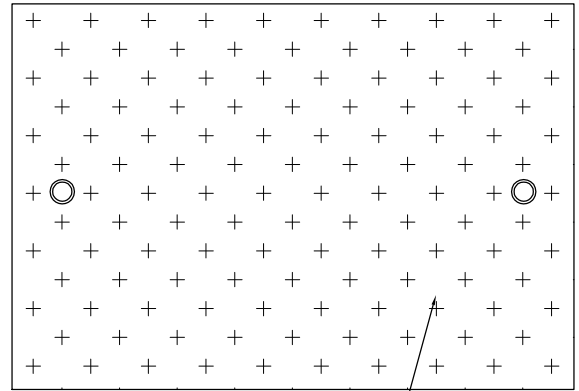


TOP VIEW



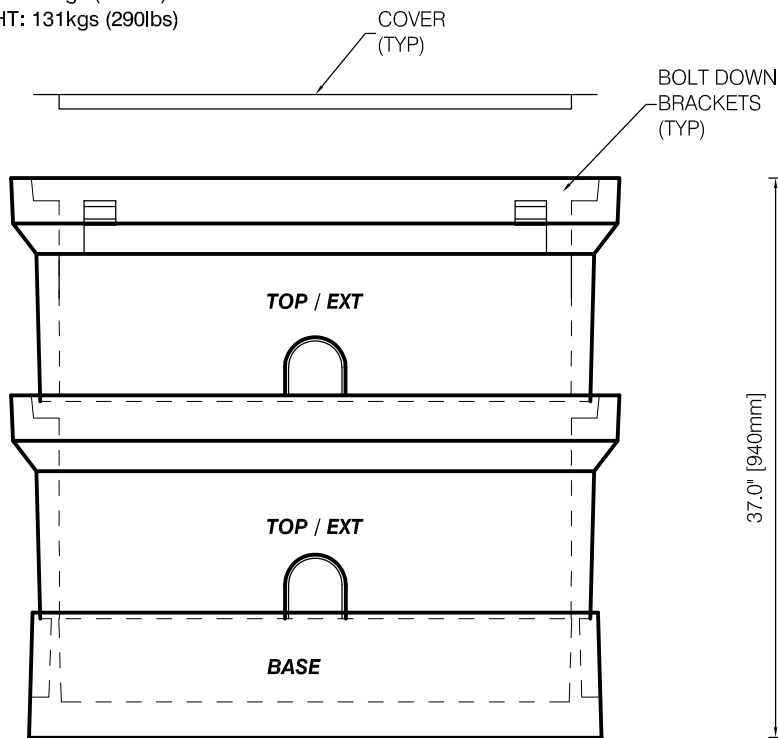
STEEL CHECKER PLATE LID
 OPTIONAL: GALVANIZING, BOLT DOWN ASSY.
 PAD-LOCK RECESS, WELD MARKINGS - EG. "ELEC".
 45Ø RR HOLE

TOP VIEW COVER

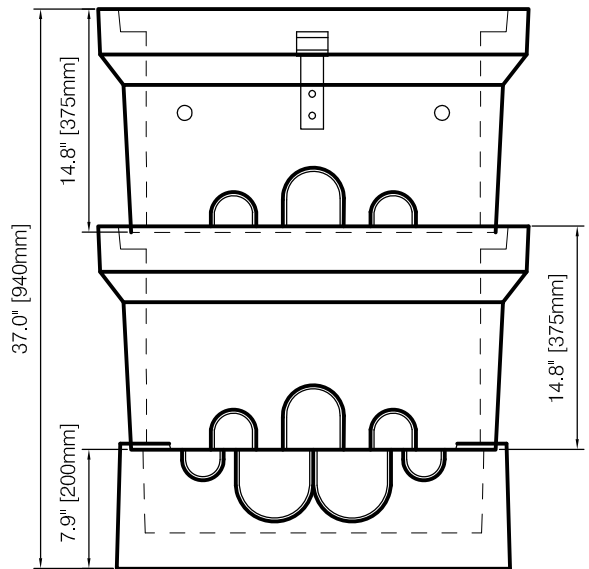
GENERAL NOTES:

- PRODUCT MANUFACTURED IN ACCORDANCE WITH CSA A23.4
- DESIGNED FOR BOULEVARD (OFF ROAD) USE - H-20 STATIC LOADING
- STEEL PRODUCTS MANUFACTURED UNDER CSA W47.1 IN ACCORDANCE TO CSA W59
- SITE INSTALLATION, BACKFILLING & SUITABILITY FOR USE IS REPOSIBILITY OF OTHERS

- WEIGHT: 98kgs (220lbs)
- WEIGHT: 98kgs (220lbs)
- WEIGHT: 131kgs (290lbs)



FRONT VIEW



SIDE VIEW



A Subsidiary of Northern Vac Services Ltd.
 P.O. Box 6868
 Fort St. John, B.C., V1J-4J3
 Phone: (250) 785-3382
 Fax: (250) 785-3381
 Email: nvac@shaw.ca

**5686 SERVICE BOX
 WITH BOLT DOWN &
 PVC PIPE SUPPORTS**

Drawn:	DVT	Cert #	---	Dwg No.	---
Date:	February 2016			Rev:	0



A Division of Northern Vac Services Ltd.
 4665 Collier Place
 Williams Lake, B.C., V2G-5E0
 Phone: (250) 392-3169
 Fax: (250) 392-3176
 Web: www.grosso-precast.com