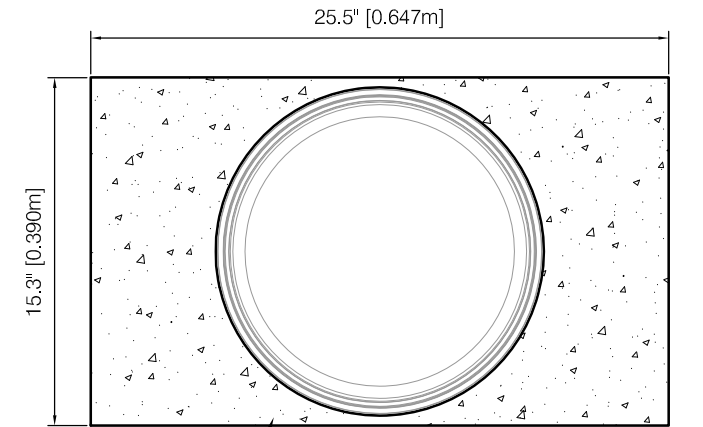
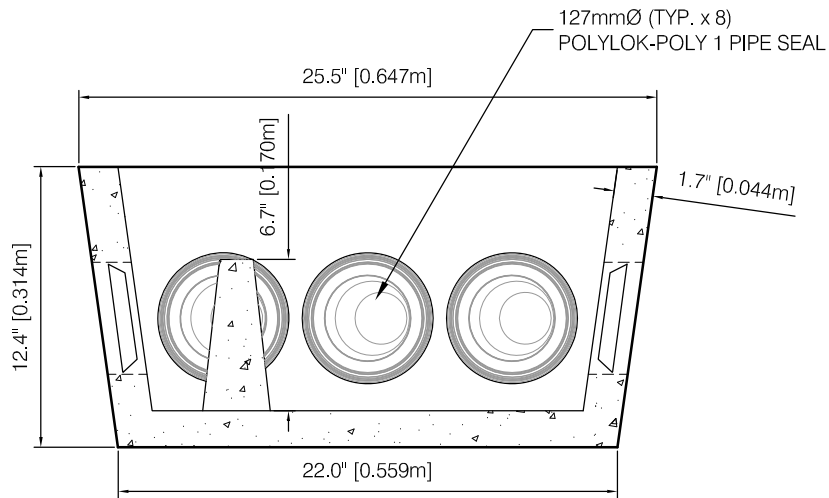


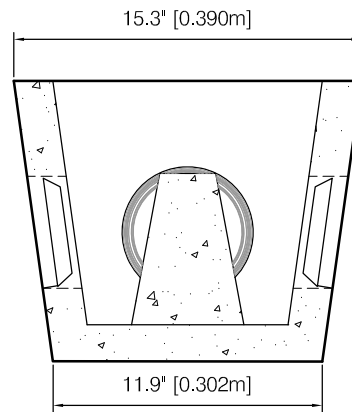
PLAN VIEW



LID - PLAN VIEW

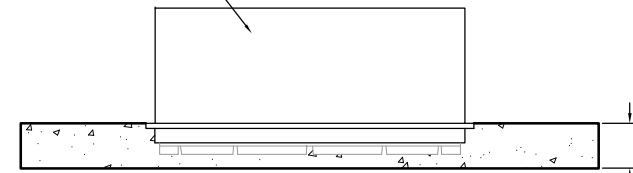


ELEVATION VIEW



SIDE VIEW

POLYLOK 12" RISER



LID - SIDE VIEW



A Subsidiary of Northern Vac Services Ltd.

P.O. Box 6868
 Fort St. John, B.C., V1J-4J3
 Phone: (250) 785-3382
 Fax: (250) 785-3381
 Email: nvac@shaw.ca

Project:

7 HOLE DISTRIBUTION BOX

Drawn:	DVT	Checked by:	CL	Dwg No.	--
Date:	Dec 2015	Cert #	—	Rev:	0



A Division of Northern Vac Services Ltd.

4665 Collier Place
 Williams Lake, B.C., V2G-5E0
 Phone: (250) 392-3169
 Fax: (250) 392-3176
 Web: www.grossoprecast.com