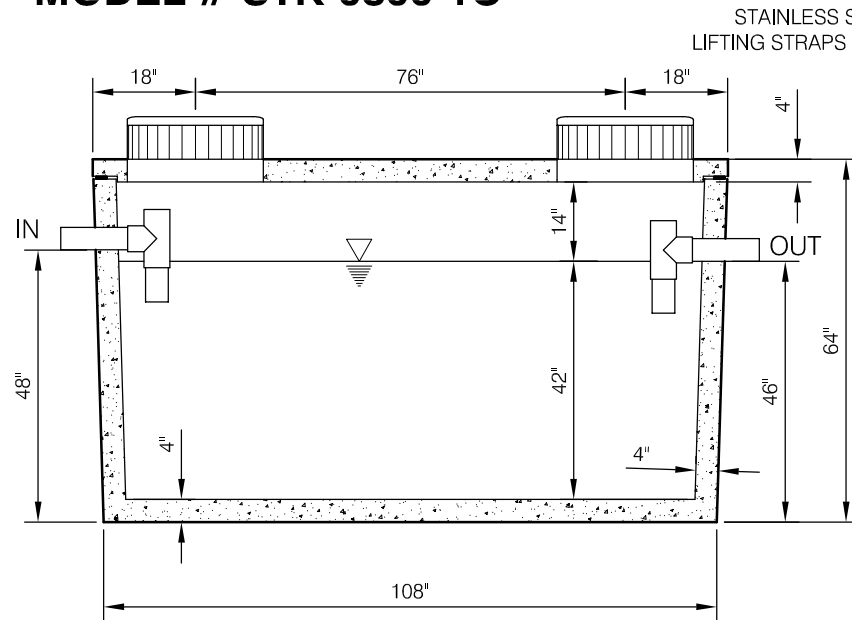
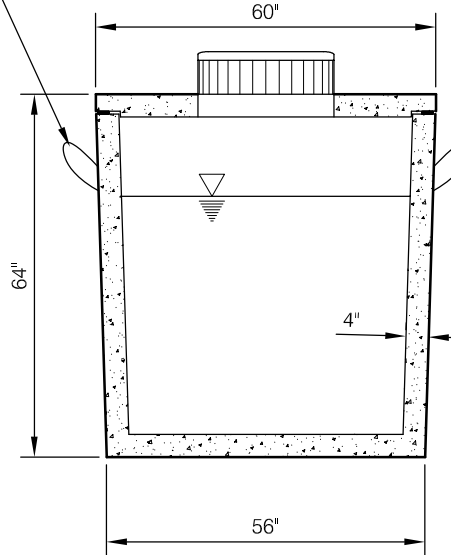


MODEL # STK-0800-1C



SECTION VIEW



SIDE VIEW

Design Data

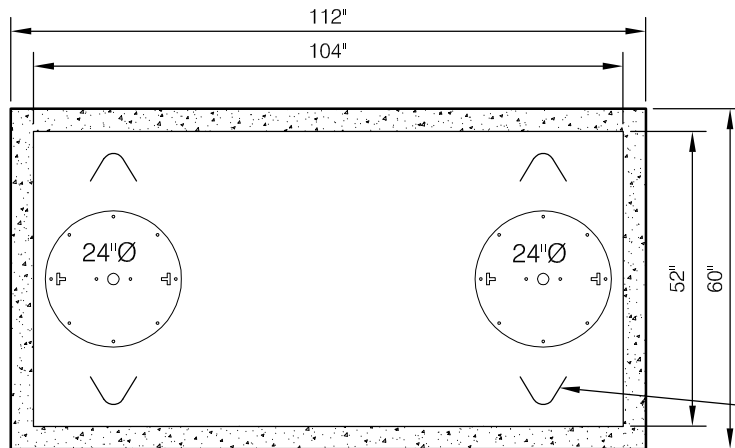
- 1st COMP - 800 Imp Gal
- TOTAL VOLUME - 800 Imp Gal
- DRAW DOWN - 18.60 Imp Gal/in
- GASKET - 1" Conseal
- INLET & OUTLET c/w POLY-LOK RUBBER BOOT
- 2 - 24" PVC LIDS AND RISERS

Concrete Strength

30mpa @ 28 days.
USE IN SULPHATE & NON SULPHATE SOILS.

Dimensions

- WIDTH: 60"
- LENGTH: 112"
- HEIGHT: 64"
- INLET: 48"
- OUTLET: 46"



TOP VIEW

STANDARD LIDS ARE RATED FOR 1.0m OF COVER WITH A SAFTEY FACTOR OF 2.1. DEEPER BURIAL REQUIRES CONSULTATION BY GROSSO PRE-CAST.



A Division of Northern Vac Services Ltd.

4665 Collier Place
Williams Lake, B.C., V2G-5E0
Phone: (250) 392-3169
Fax: (250) 392-3176
Web: www.grossoprecast.com



A Subsidiary of Northern Vac Services Ltd.

P.O. Box 6868
Fort St. John, B.C., V1J-4J3
Phone: (250) 785-3382
Fax: (250) 785-3381
Email: nvac@shaw.ca

**800-GAL (3632 litres)
1-COMP SEPTIC TANK
LID 2,000 lbs: TANK 7,200 lbs:
TOTAL 9,200 lbs**

Drawn: DT		Dwg No. 104
Date: February 14 / 2012	Cert # 296	Rev: 0