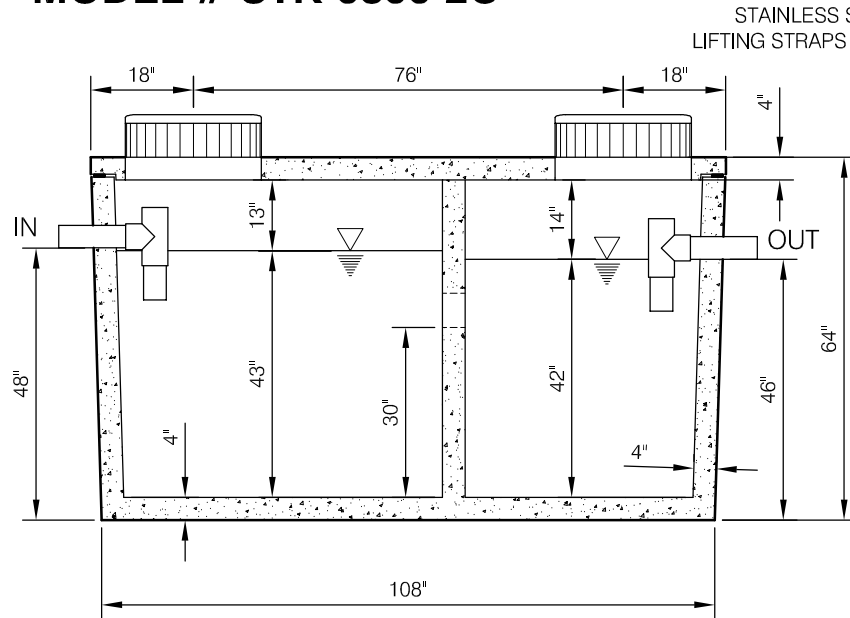
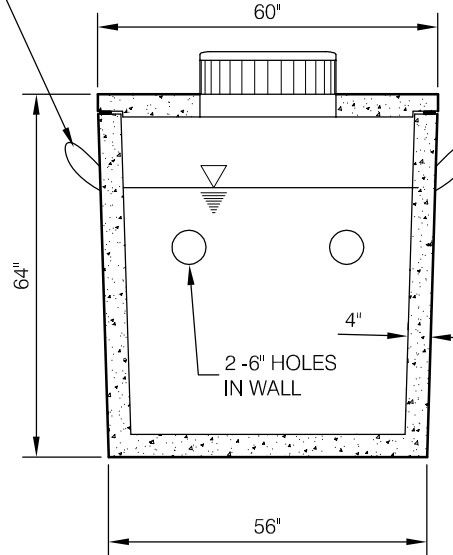


# MODEL # STK-0800-2C



**SECTION VIEW**



**SIDE VIEW**

## Design Data

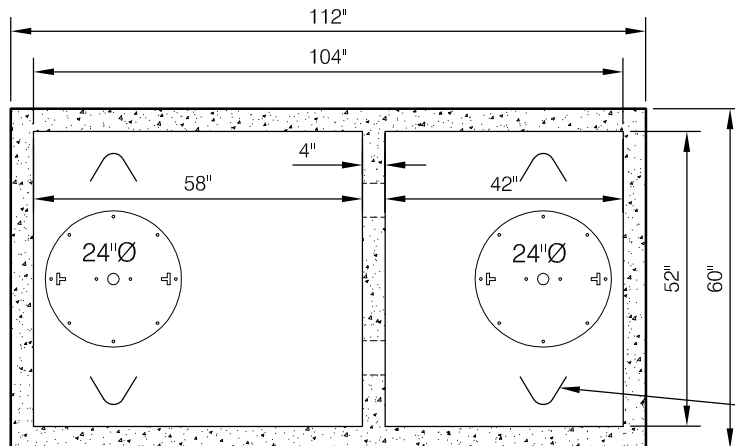
- 1st COMP - 450 Imp Gal
- 2nd COMP - 330 Imp Gal
- TOTAL VOLUME - 780 Imp Gal
- DRAW DOWN - 18.57 Imp Gal/in
- GASKET - 1" Conseal
- INLET & OUTLET c/w POLY-LOK RUBBER BOOT
- 2 - 24" PVC LIDS AND RISERS

## Concrete Strength

30mpa @ 28 days.  
USE IN SULPHATE & NON SULPHATE SOILS.

## Dimensions

- WIDTH: 60"
- LENGTH: 112"
- HEIGHT: 64"
- INLET: 48"
- OUTLET: 46"



**TOP VIEW**

STANDARD LIDS ARE RATED FOR 1.0m OF COVER WITH A SAFETY FACTOR OF 2.1. DEEPER BURIAL REQUIRES CONSULTATION BY GROSSO PRE-CAST.



A Division of Northern Vac Services Ltd.

4665 Collier Place  
Williams Lake, B.C., V2G-5E0  
Phone: (250) 392-3169  
Fax: (250) 392-3176  
Web: www.grossoprecast.com



A Subsidiary of Northern Vac Services Ltd.

P.O. Box 6868  
Fort St. John, B.C., V1J-4J3  
Phone: (250) 785-3382  
Fax: (250) 785-3381  
Email: nvac@shaw.ca

**800-GAL (3632 litres)  
2-COMP SEPTIC TANK  
LID 2,000 lbs: TANK 8,200 lbs:  
TOTAL 10,200 lbs**

Drawn:	DT	Dwg No.	105
Date:	February 14 / 2012	Cert #	296
		Rev:	0