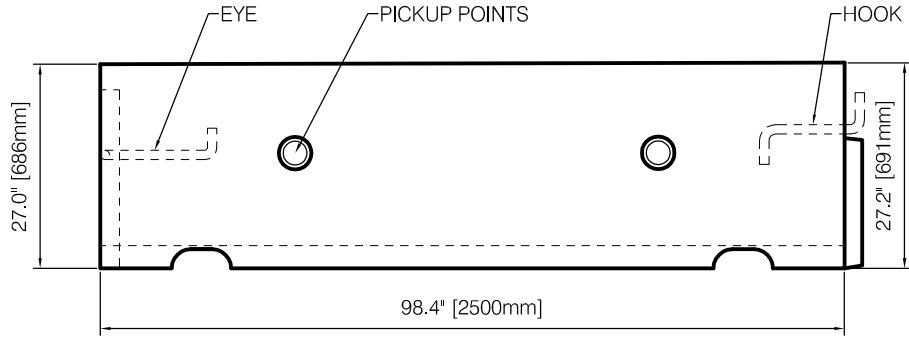


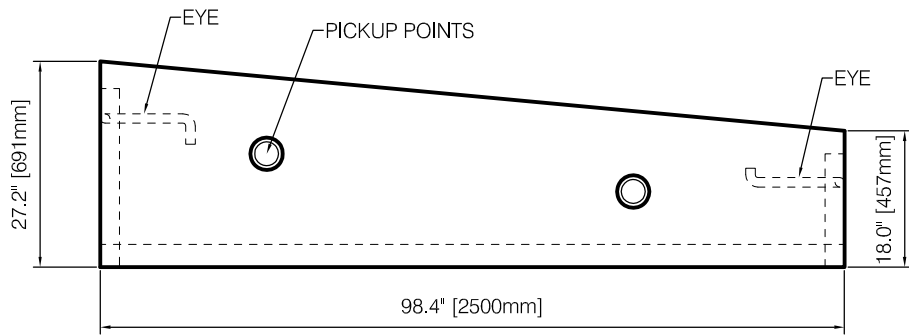
ITEM No. 913
CTB-3

2800 lbs



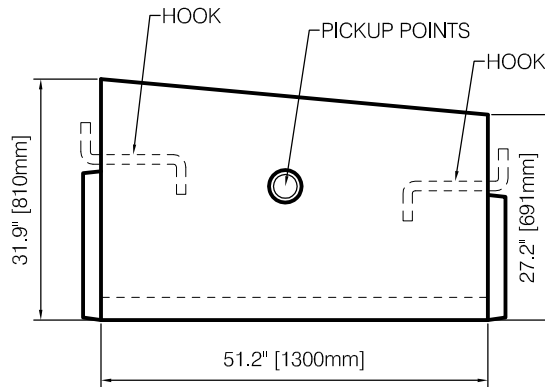
ITEM No. 914
CTB-1

2417 lbs



ITEM No. 916
CTB-2

1783 lbs



Concrete Strength

30mpa @ 28 days.
MANUFACTURED AS PER MOT SECTION 941



A Subsidiary of Northern Vac Services Ltd.
P.O. Box 6868
Fort St. John, B.C., V1J-4J3
Phone: (250) 785-3382
Fax: (250) 785-3381
Email: nvac@shaw.ca

**CONCRETE TRANSITION
BARRIERS**
ITEMS No. 913, 914 & 916

Drawn:	DVT	Cert #	---	Dwg No.	---
Date:	February 2016			Rev:	0



A Division of Northern Vac Services Ltd.
4665 Collier Place
Williams Lake, B.C., V2G-5E0
Phone: (250) 392-3169
Fax: (250) 392-3176
Web: www.grossoprecast.com