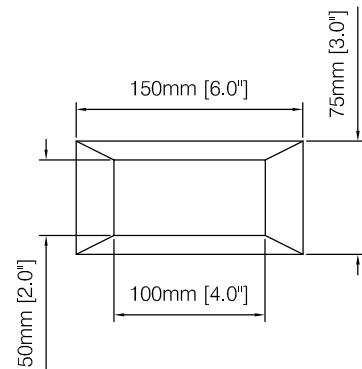


**SECTION VIEW OF
1200Ø DRYWELL BARREL**

PRECAST SECTIONS OF 1200Ø I.D.
100mm THK. WALLS
75 x 150mm HOLES
SPACED VERT. 150mm O.C.
AND HORZ. 200mm O.C.

Notes:

1. 100 - Rectangular openings per barrel circumference.
2. Drywell only available in 900mm height.
3. Min. Concrete strength: 30MPa.



A Subsidiary of Northern Vac Services Ltd.
P.O. Box 6868
Fort St. John, B.C., V1J-4J3
Phone: (250) 785-3382
Fax: (250) 785-3381
Email: nvac@shaw.ca

DRYWELL BARREL

Drawn:	DVT	Cert #	---	Dwg No.	---
Date:	February 2015		---	Rev:	0



A Division of Northern Vac Services Ltd.
4665 Collier Place
Williams Lake, B.C., V2G-5E0
Phone: (250) 392-3169
Fax: (250) 392-3176
Web: www.grossoprecast.com