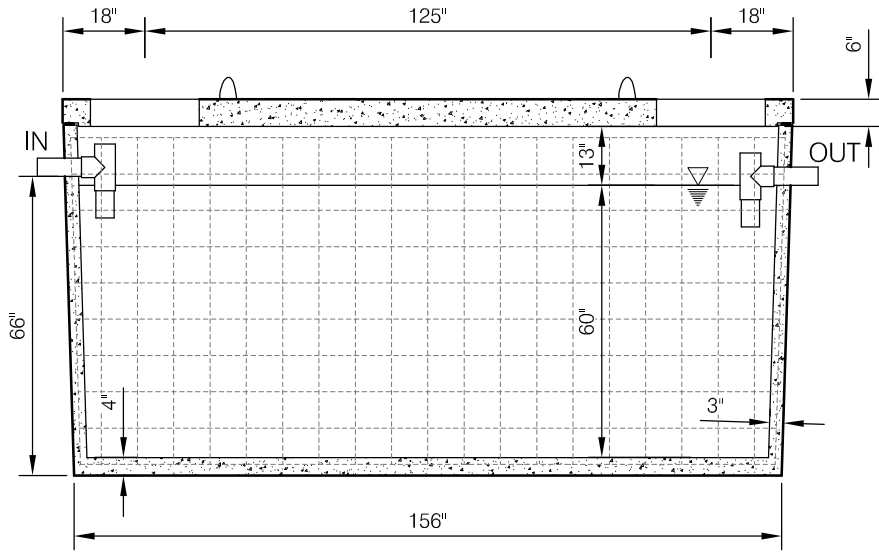
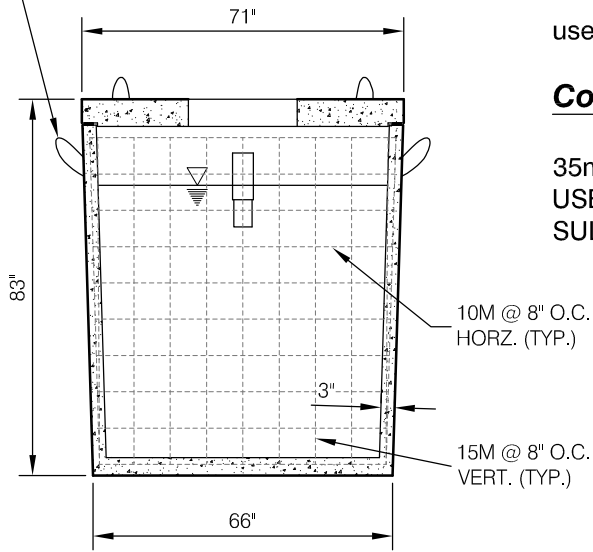


MODEL # STK-2000-1C

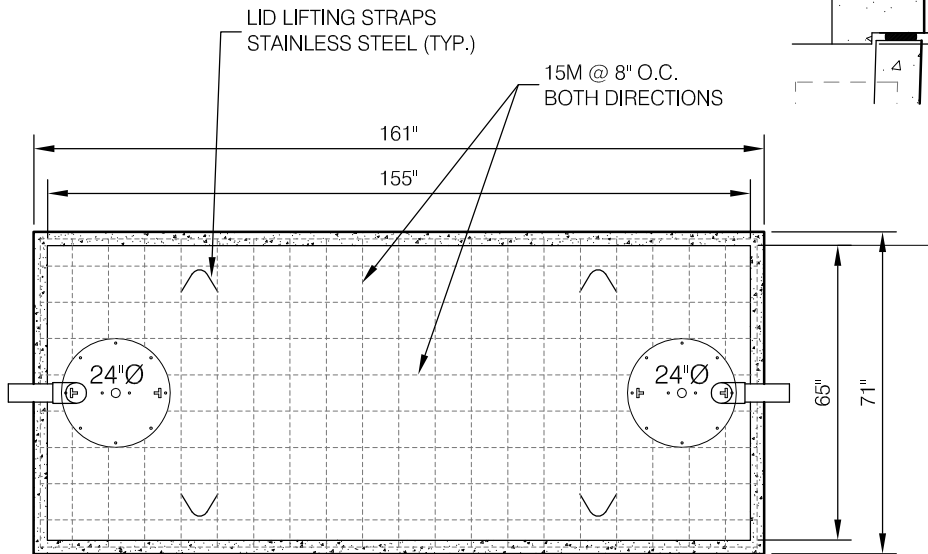
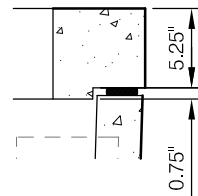
STAINLESS STEEL LIFTING STRAPS (TYP.)



SECTION VIEW



SIDE VIEW



TOP VIEW

Design Data

All lid redar is 15M @ 8" O.C.

uses - TR-18 frames and covers

Concrete Strength

35mpa @ 28 days.
USE IN SULPHATE & NON
SULPHATE SOILS.

STANDARD LIDS ARE RATED FOR 1.0m OF COVER WITH A SAFETY FACTOR OF 2.1. DEEPER BURIAL REQUIRES CONSULTATION BY GROSSO PRE-CAST.



A Division of Northern Vac Services Ltd.

4665 Collier Place
Williams Lake, B.C., V2G-5E0
Phone: (250) 392-3169
Fax: (250) 392-3176
Web: www.grossoprecast.com



A Subsidiary of Northern Vac Services Ltd.

P.O. Box 6868
Fort St. John, B.C., V1J-4J3
Phone: (250) 785-3382
Fax: (250) 785-3381
Email: nvac@shaw.ca

STANDARD H2O CAGE DETAIL

Drawn:	DVT	Cert #	Dwg No.	#
Date:	November 23 / 2012			0