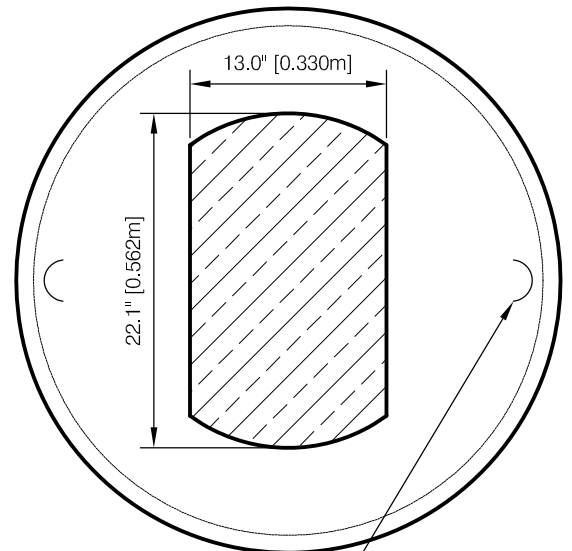
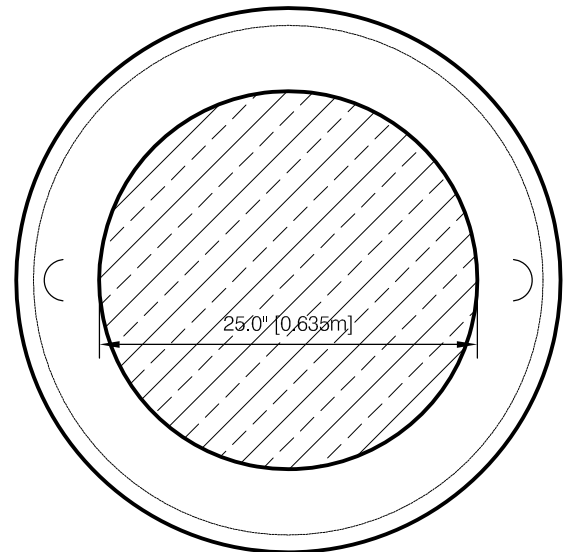


**SECTION VIEW**



2 GALVANIZED LIFTING STRAPS (TYP.)



**LID OPTIONS**

**Concrete Strength**

30mpa @ 28 days.  
USE IN SULPHATE & NON  
SULPHATE SOILS.

**Dimensions**

DIAMETER: 36"  
HEIGHT: 59"  
OUTLET: 24" SUMP

STANDARD LIDS ARE RATED FOR 1.0m OF COVER WITH A SAFETY FACTOR OF 2.1. DEEPER BURIAL REQUIRES CONSULTATION BY GROSSO PRE-CAST.



A Subsidiary of Northern Vac Services Ltd.  
P.O. Box 6868  
Fort St. John, B.C., V1J-4J3  
Phone: (250) 785-3382  
Fax: (250) 785-3381  
Email: nvac@shaw.ca

**CATCHBASIN  
PRINCE GEORGE SPEC.**

Drawn: DVT	Cert #	Dwg No. 102
Date: February 2015	---	Rev: 0



A Division of Northern Vac Services Ltd.  
4665 Collier Place  
Williams Lake, B.C., V2G-5E0  
Phone: (250) 392-3169  
Fax: (250) 392-3176  
Web: www.grosso-precast.com