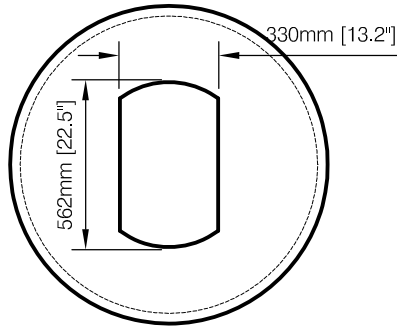
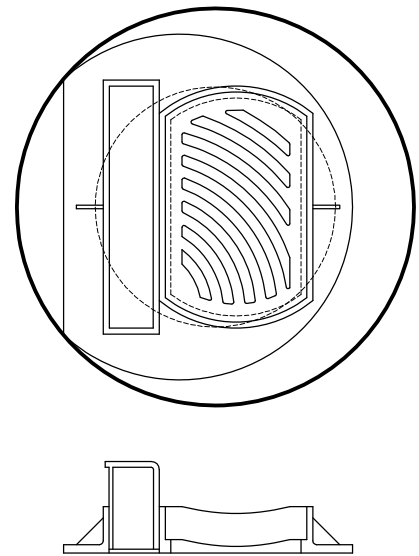
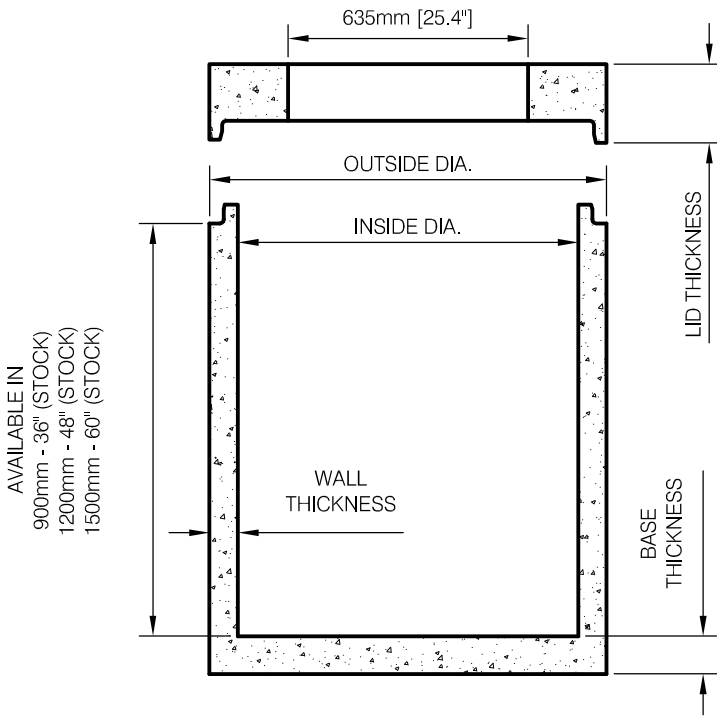
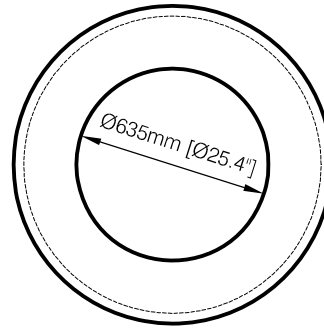


CURB STYLE OPENING FOR USE WITH TR 23 / 24 STYLE FRAME & GRATE AVAILABLE FOR 600Ø, 750Ø & 900Ø CATCHBASINS



STANDARD MANHOLE ACCESS OPENINGS USED FOR CAST IRON FRAMES TR18, TR20 OR TR26B AVAILABLE IN CB/MH 700Ø, 900Ø & 1050Ø



SECTION

NOTE:

1. CATCHBASINS ARE MANUFACTURED TO ASTM C478 STANDARDS.
2. TWO GALV. LIFTING CABLES FOR INSTALLATION.
3. 4 x 4 - 10 gauge MESH
4. MONOLITHIC BASE.
5. CUSTOM CORES TO SUIT YOUR NEEDS UPON REQUEST.
6. AVAILABLE WITH TRAPPING HOOD PINS UPON REQUEST.
7. ALSO AVAILABLE SIDE INLET LIDS.

CATCHBASIN SIZES

INSIDE DIAMETER	LID THICKNESS	WALL THICKNESS	BASE THICKNESS	OUTSIDE DIAMETER	WEIGHT
mm - in	mm - in	mm - in	mm - in	mm - in	KG / m
600 - 24	200 - 8	75 - 3	100 - 4	752 - 30	263
750 - 30	200 - 8	75 - 3	100 - 4	900 - 36	583
900 - 36	200 - 8	75 - 3	100 - 4	1050 - 42	703



A Subsidiary of Northern Vac Services Ltd.

P.O. Box 6868
 Fort St. John, B.C., V1J-4J3
 Phone: (250) 785-3382
 Fax: (250) 785-3381
 Email: nvac@shaw.ca

CATCHBASINS, LIDS AND SIDE INLET CASTINGS

Drawn: DVT	Checked by: CL	Dwg No. --
Date: February 2015	Cert # --	Rev: 0



A Division of Northern Vac Services Ltd.

4665 Collier Place
 Williams Lake, B.C., V2G-5E0
 Phone: (250) 392-3169
 Fax: (250) 392-3176
 Web: www.grossoprecast.com