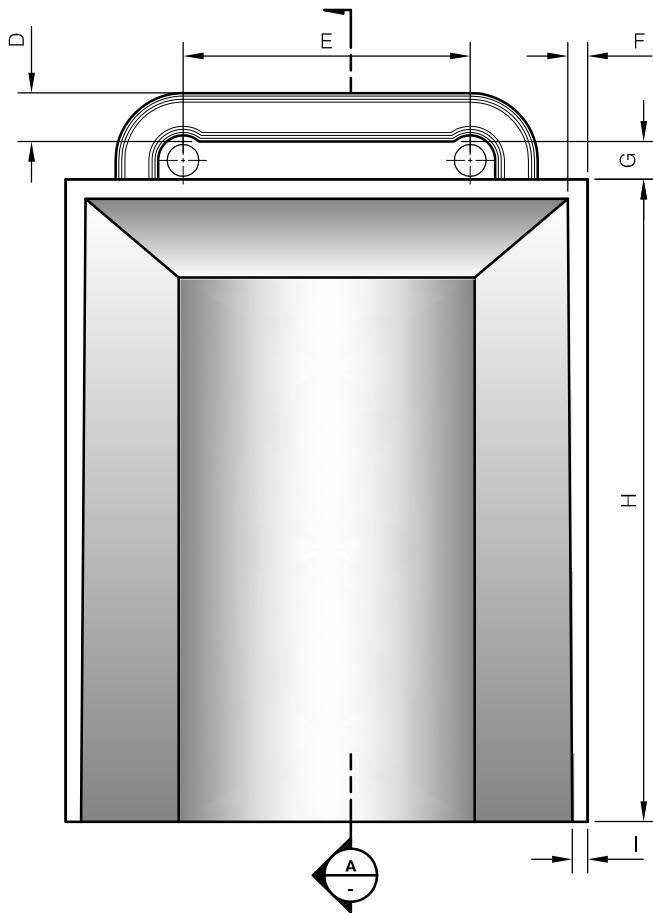
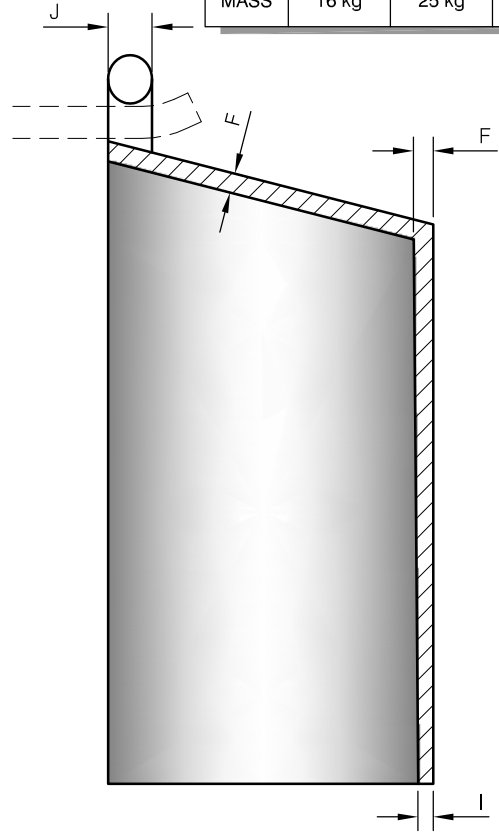


**PLAN**



**ELEVATION**

<b>LEGEND</b>			
Dim.	1500 OUTLET	2000 OUTLET	3000 OUTLET
A	180	215	320
B	280	345	445
C	150	215	255
D	32	32	238
E	165	190	305
F	10	13	13
G	25	225	25
H	350	425	535
I	7	210	10
J	25	29	29
K	325	370	470
MASS	16 kg	25 kg	49 kg



**SECTION A**

NOTE:  
ALL MATERIAL TO BE CAST IRON.

ALL DIMENSIONS ARE IN MILLIMETERS UNLESS OTHERWISE NOTED



A Subsidiary of Northern Vac Services Ltd.  
P.O. Box 6868  
Fort St. John, B.C., V1J-4J3  
Phone: (250) 785-3382  
Fax: (250) 785-3381  
Email: nvac@shaw.ca

**TRAPPING HOOD**

Drawn: DVT	Cert # --	Dwg No. --
Date: February 2015		Rev: 0



A Division of Northern Vac Services Ltd.  
4665 Collier Place  
Williams Lake, B.C., V2G-5E0  
Phone: (250) 392-3169  
Fax: (250) 392-3176  
Web: www.grossprecast.com