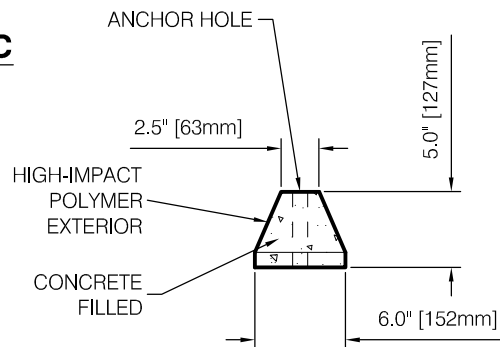
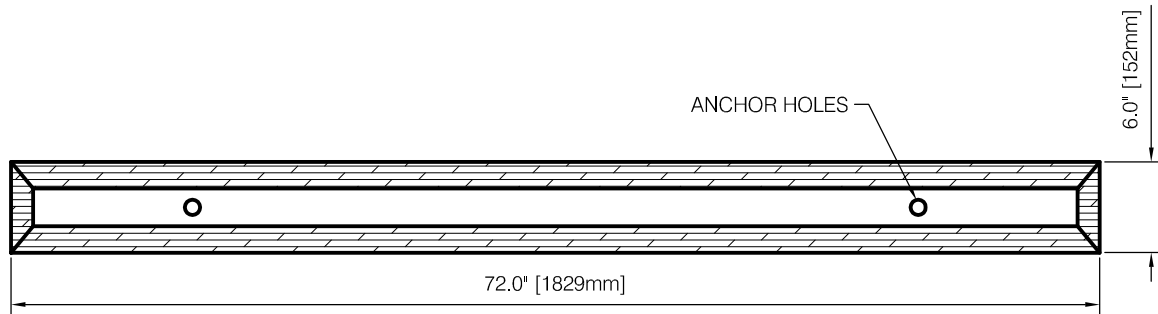


ISOMETRIC VIEW



END VIEW



PLAN VIEW

Notes:

- Install with #4 or #5 Rebar
- Available in Safety yellow or Handicap Blue
- Exterior Material: UV stabilized, high-impact polymer
- Interior Fill: Concrete



A Subsidiary of Northern Vac Services Ltd.
 P.O. Box 6868
 Fort St. John, B.C., V1J-4J3
 Phone: (250) 785-3382
 Fax: (250) 785-3381
 Email: nvac@shaw.ca

**TUF-STOP BUMPER CURB
 124 lbs**

Drawn:	DVT	Cert #	---	Dwg No.	---
Date:	March 2016			Rev:	0



A Division of Northern Vac Services Ltd.
 4665 Collier Place
 Williams Lake, B.C., V2G-5E0
 Phone: (250) 392-3169
 Fax: (250) 392-3176
 Web: www.grossoprecast.com