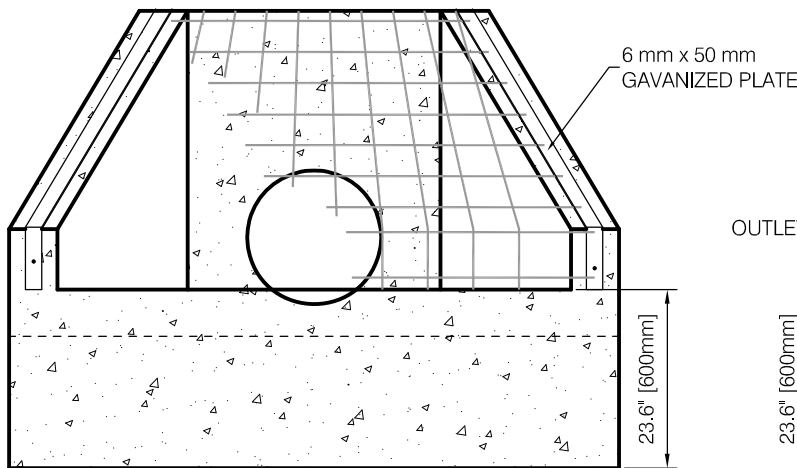
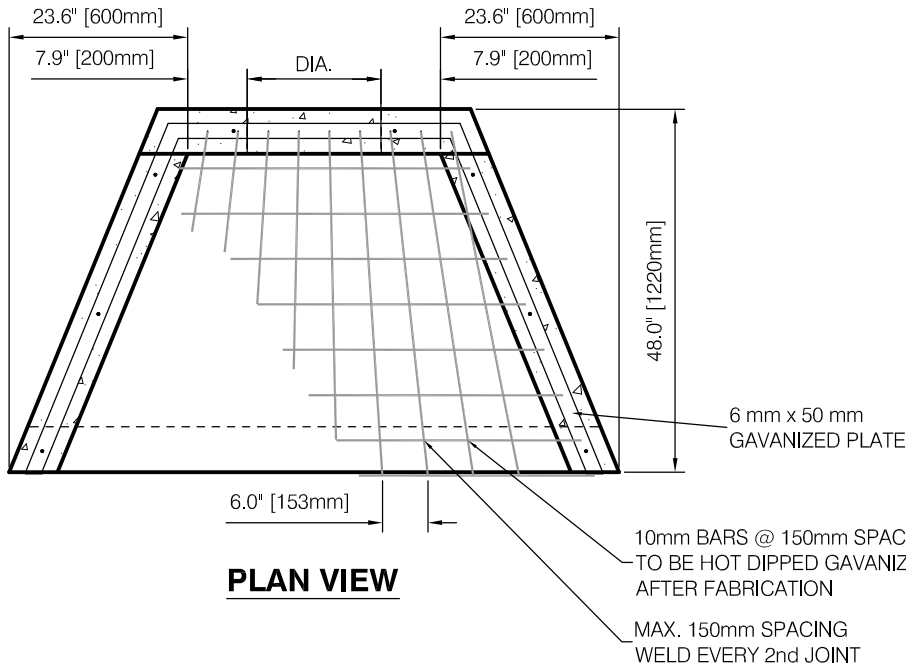


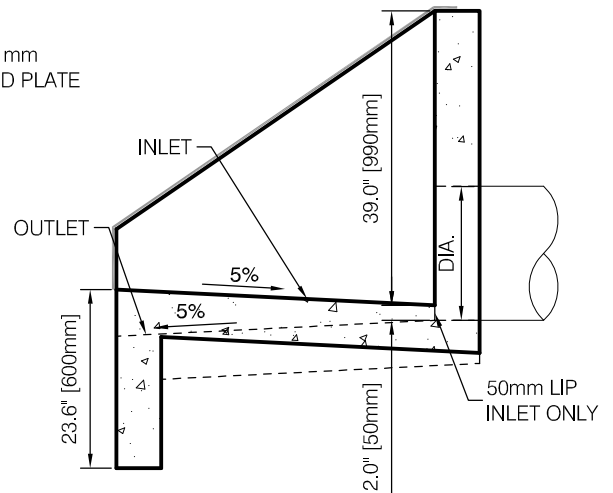
**AVAILABLE IN SIZES
100mm TO 880mm.
GALVANIZED GRATE
ALSO AVAILABLE.**

**Custom Orders Available
Upon Request**

**Ask about other headwalls for
larger size pipe**



FRONT VIEW



SIDE VIEW

Note:

1. ALL WALLS & SLABS 150mm THK.
2. CONCRETE MIN. 28 MPa.

E:\Wilson Concrete Logo.jpg

A Subsidiary of Northern Vac Services Ltd.

P.O. Box 6868
Fort St. John, B.C., V1J-4J3
Phone: (250) 785-3382
Fax: (250) 785-3381
Email: nvac@shaw.ca

**TYPE II HEADWALL
Approx. 1000 lbs**

Drawn:	DVT	Checked by:	CL	Dwg No.	--
Date:	February 2016	Cert #	--	Rev:	0



A Division of Northern Vac Services Ltd.

4665 Collier Place
Williams Lake, B.C., V2G-5E0
Phone: (250) 392-3169
Fax: (250) 392-3176
Web: www.grossoprecast.com