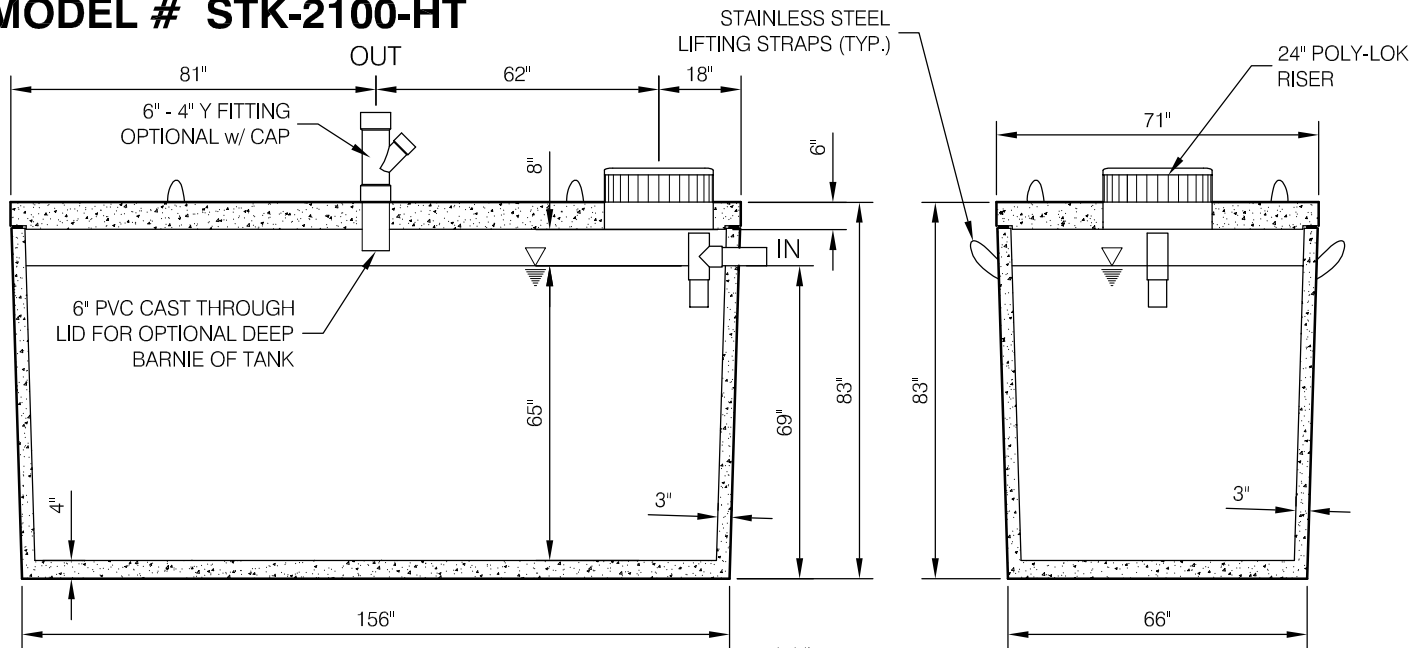
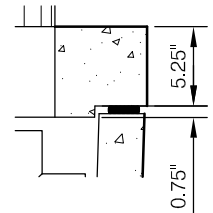


# MODEL # STK-2100-HT

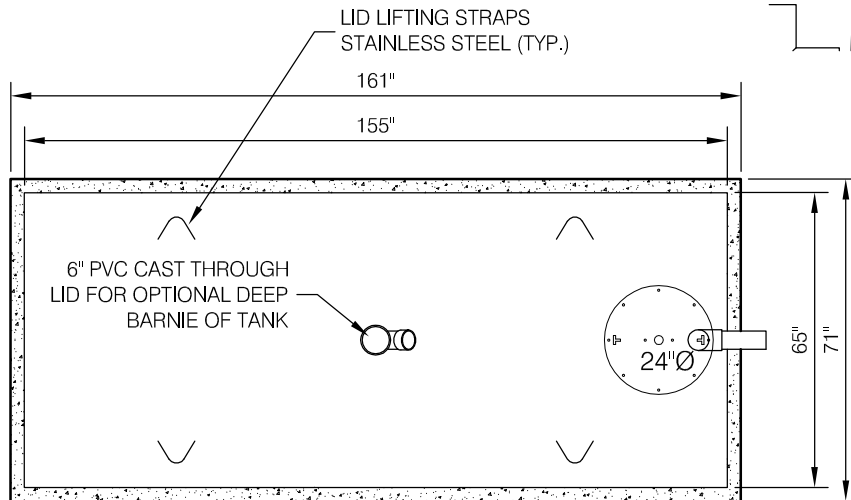


**SECTION VIEW**

**SIDE VIEW**



Note:  
poly-lok risers can be covered  
when not being used



**TOP VIEW**

STANDARD LIDS ARE RATED FOR 1.0m OF COVER WITH A SAFETY FACTOR OF 2.1. DEEPER BURIAL REQUIRES CONSULTATION BY GROSSO PRE-CAST.

## Design Data

- 1st COMP - 2205 Imp Gal
- TOTAL VOLUME - 2205 Imp Gal
- DRAW DOWN - 33.9 Imp Gal/in
- GASKET - 1" Conseal
- INLET & OUTLET c/w POLY-LOK RUBBER BOOT
- 1 - 24" PVC LID AND RISER

## Concrete Strength

30mpa @ 28 days.  
USE IN SULPHATE & NON SULPHATE SOILS.

## Dimensions

- WIDTH: 71"
- LENGTH: 161"
- HEIGHT: 83"
- INLET: 69"



A Division of Northern Vac Services Ltd.

4665 Collier Place  
Williams Lake, B.C., V2G-5E0  
Phone: (250) 392-3169  
Fax: (250) 392-3176  
Web: www.grossoprecast.com



A Subsidiary of Northern Vac Services Ltd.

P.O. Box 6868  
Fort St. John, B.C., V1J-4J3  
Phone: (250) 785-3382  
Fax: (250) 785-3381  
Email: nvac@shaw.ca

**2000-GAL (9080 litres)  
1-COMP HOLDING TANK  
LID 6,000 lbs: TANK 12,500 lbs:  
TOTAL 18,500 lbs**

Drawn: DT		Dwg No. ---
Date: February 18 / 2012	Cert # ---	Rev: 0