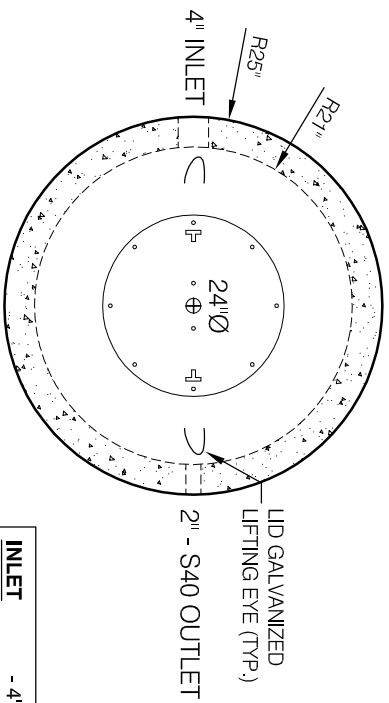
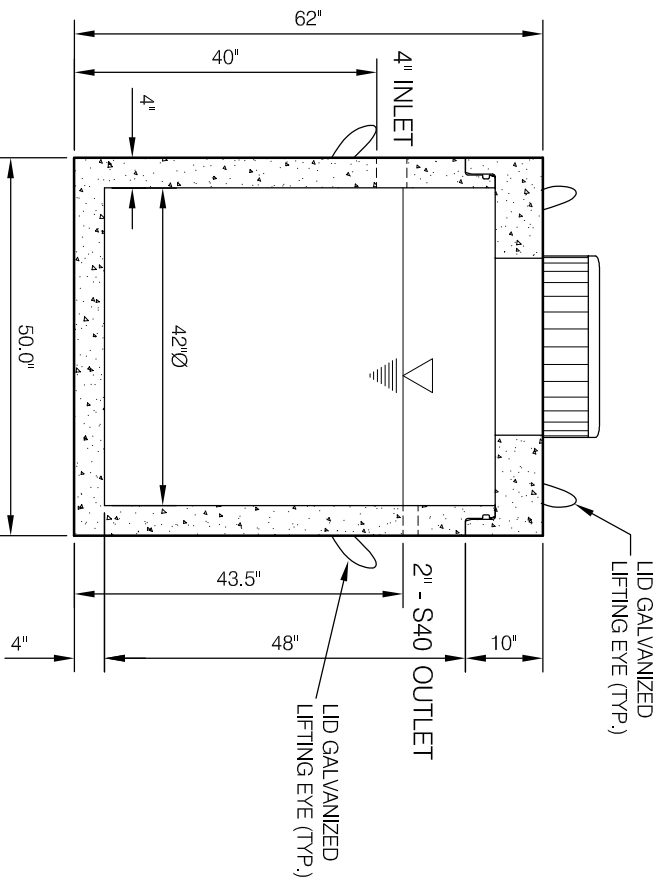


MODEL # STK-0240-1C



TOP VIEW

INLET - 4" POLY LOCK THAT WILL REDUCE TO 3" + 2"
OUTLET - 2" SCH 40 COUPLER



SECTION VIEW

Design Data

1st COMP - 240 Imp Gal
 TOTAL VOLUME - 240 Imp Gal
 GASKET - 1" Conseal
 1 - 24" PVC LID AND RISER

Concrete Strength

30mpa @ 28 days.
 USE IN SULPHATE & NON
 SULPHATE SOILS.

Dimensions

DIAMETER: 42" INSIDE
 HEIGHT: 62"
 INLET: 40"
 OUTLET: 43.5"



A Division of Northern Vac Services Ltd.
 4665 Collier Place
 Williams Lake, B.C., V2G-5E0
 Phone: (250) 392-3169
 Fax: (250) 392-3176
 Web: www.grossoprecast.com

A Subsidiary of Northern Vac Services Ltd.
 P.O. Box 6868
 Fort St. John, B.C., V1J-4J3
 Phone: (250) 785-3382
 Fax: (250) 785-3381
 Email: nvac@straw.ca

**240-GAL (1089 litres)
 1-COMP PUMP CHAMBER
 LID 1,000 lbs: BARREL 3,700 lbs:
 TOTAL 5,000 lbs**

Drawn:	DT	Dwg No.:	101
Date:	February 15 / 2012	Rev:	0