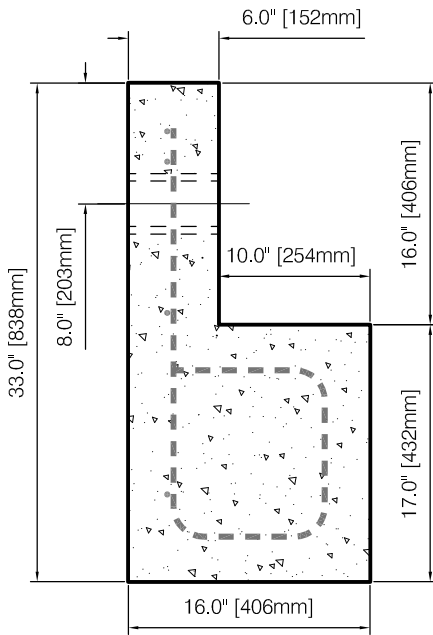
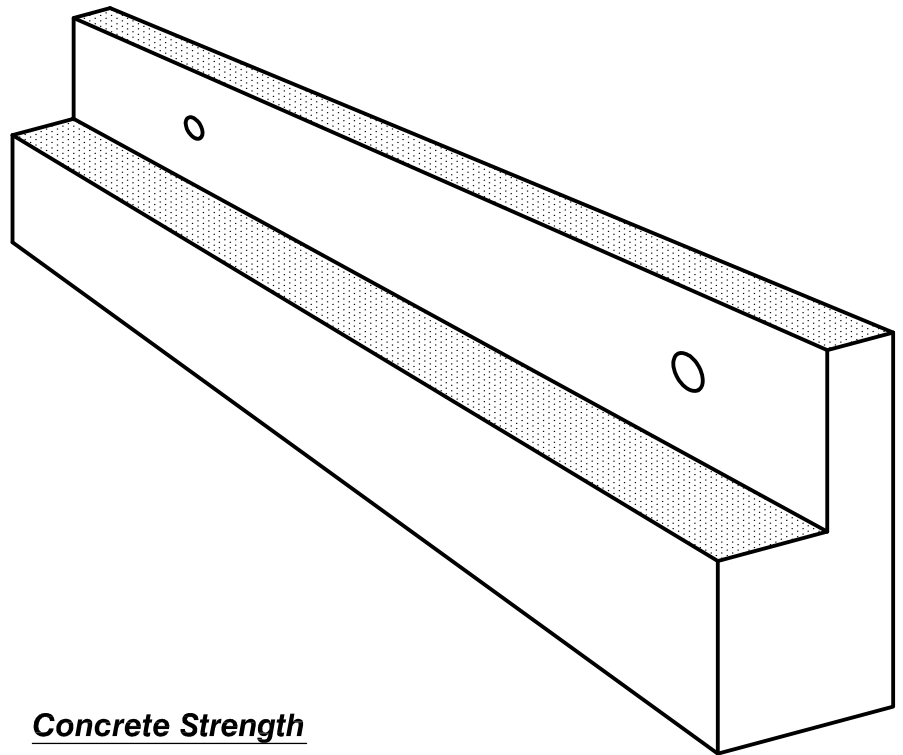


FRONT VIEW



SIDE VIEW

Concrete Strength

- 30 MPa TYPE 10 @ 28 days
- 4 - 6% ENTRAINED AIR
- 2000 lbs EACH
- CONVENIENT 8' LENGTHS FOR 16' OR 24' CATTLEGUARD LENGTHS
- REBAR CAGE AS PER DRAWING



A Subsidiary of Northern Vac Services Ltd.
 P.O. Box 6868
 Fort St. John, B.C., V1J-4J3
 Phone: (250) 785-3382
 Fax: (250) 785-3381
 Email: nvac@shaw.ca

**CONCRETE
 CATTLEGUARD
 BASE**

Drawn:	DVT	Cert #	--	Dwg No.	--
Date:	February 2016			Rev:	0



A Division of Northern Vac Services Ltd.
 4665 Collier Place
 Williams Lake, B.C., V2G-5E0
 Phone: (250) 392-3169
 Fax: (250) 392-3176
 Web: www.grosso-precast.com