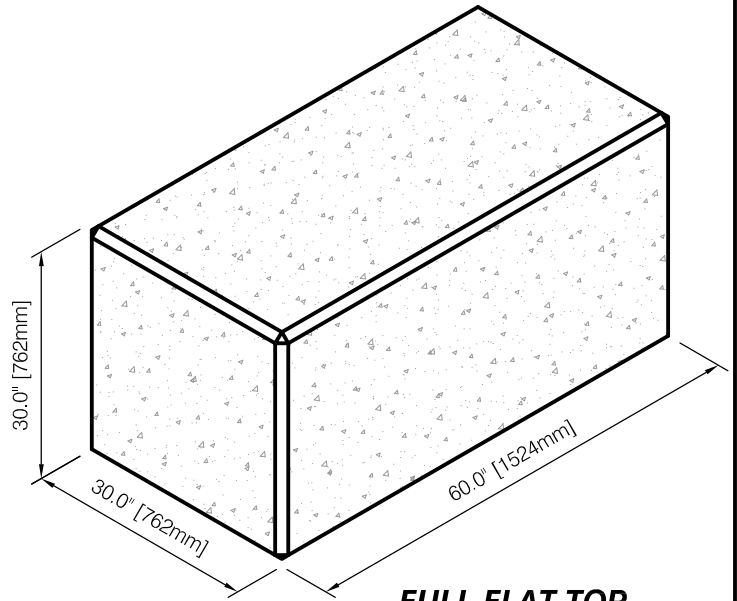


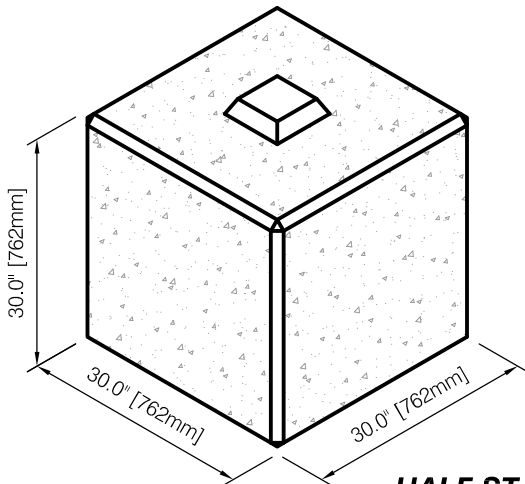
**FULL STANDARD**

30" x 60" x 30"  
4,320 lbs



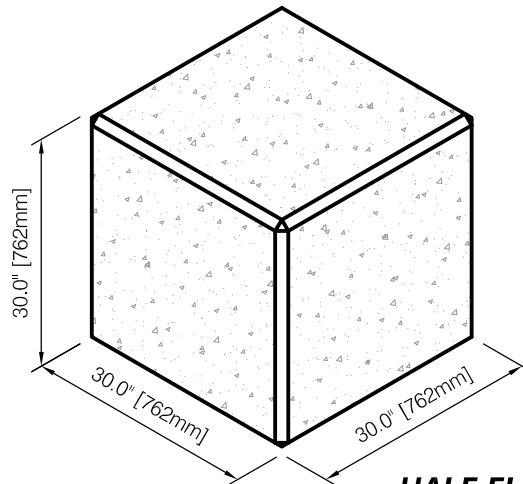
**FULL FLAT TOP**

30" x 60" x 30"  
4,320 lbs



**HALF STANDARD**

30" x 30" x 30"  
2,200 lbs



**HALF FLAT TOP**

30" x 30" x 30"  
2,200 lbs

**Concrete Strength**

30mpa @ 28 days.



A Subsidiary of Northern Vac Services Ltd.  
P.O. Box 6868  
Fort St. John, B.C., V1J-4J3  
Phone: (250) 785-3382  
Fax: (250) 785-3381  
Email: nvac@shaw.ca

**INTERLOCKING BLOCKS**

Drawn:	DVT	Dwg No.	302
Date:	March 2016	Cert #	--
		Rev:	0



A Division of Northern Vac Services Ltd.  
4665 Collier Place  
Williams Lake, B.C., V2G-5E0  
Phone: (250) 392-3169  
Fax: (250) 392-3176  
Web: www.grossoprecast.com