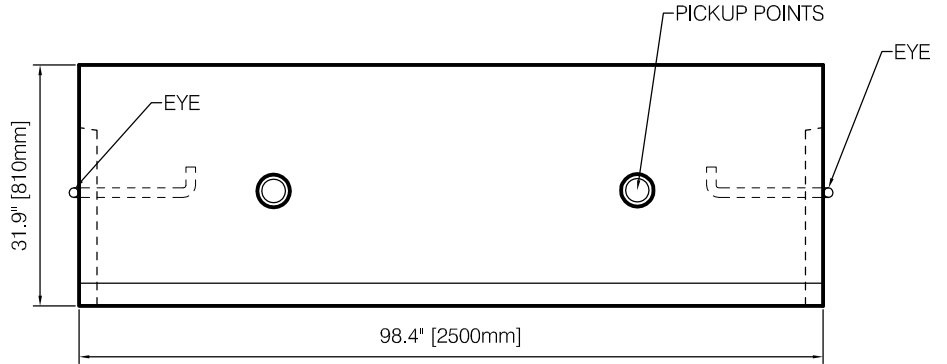
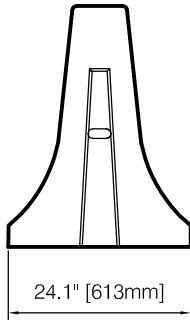
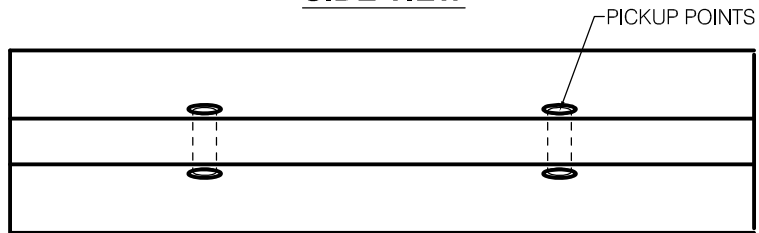


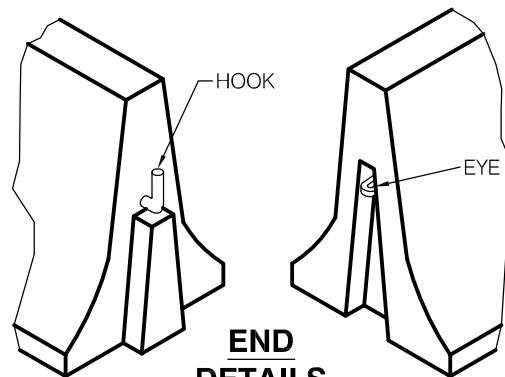
**MALE BARRIER
SIDE VIEW**



**FEMALE BARRIER
SIDE VIEW**



PLAN VIEW



**END
DETAILS**

Concrete Strength

30mpa @ 28 days.
MANUFACTURED AS PER MOT SECTION 941



A Subsidiary of Northern Vac Services Ltd.
P.O. Box 6868
Fort St. John, B.C., V1J-4J3
Phone: (250) 785-3382
Fax: (250) 785-3381
Email: nvac@shaw.ca

**MEDIAN BARRIER
CMB-810
MALE & FEMALE
3566 lbs**

Drawn:	DVT	Dwg No.	917
Date:	February 2016	Cert #	--
		Rev:	0



A Division of Northern Vac Services Ltd.
4665 Collier Place
Williams Lake, B.C., V2G-5E0
Phone: (250) 392-3169
Fax: (250) 392-3176
Web: www.grossoprecast.com