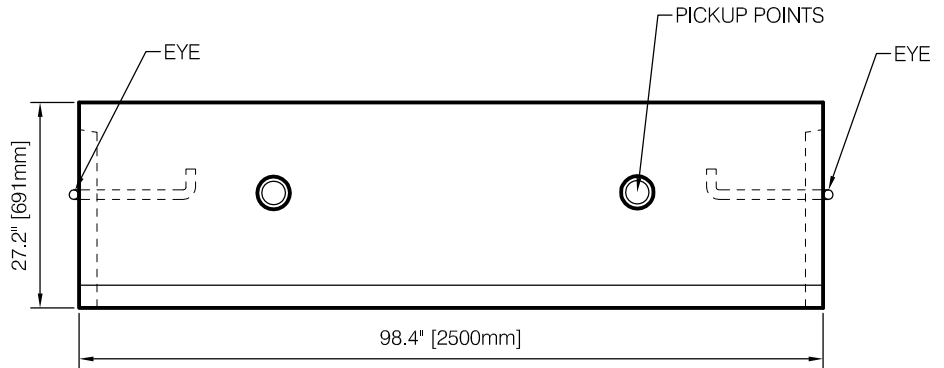
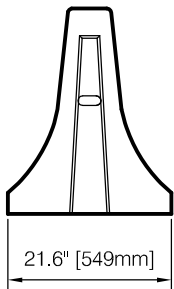
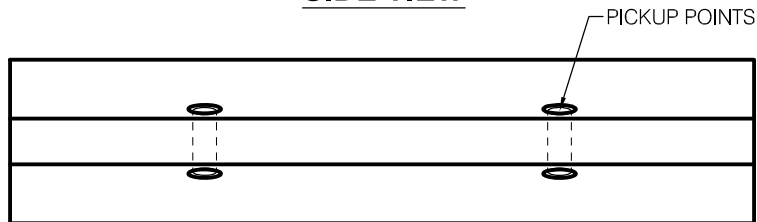


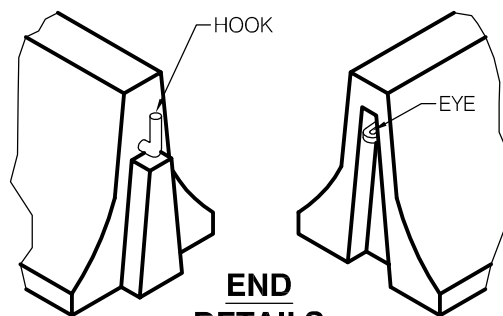
**MALE BARRIER
SIDE VIEW**



**FEMALE BARRIER
SIDE VIEW**



PLAN VIEW



**END
DETAILS**

Concrete Strength

30mpa @ 28 days.
MANUFACTURED AS PER MOT SECTION 941



A Subsidiary of Northern Vac Services Ltd.
P.O. Box 6868
Fort St. John, B.C., V1J-4J3
Phone: (250) 785-3382
Fax: (250) 785-3381
Email: nvac@shaw.ca

**ROADSIDE BARRIER
CRB-690
MALE & FEMALE
2901 lbs**

Drawn:	DVT	Cert #	---	Dwg No.	915
Date:	February 2016	Rev:	0		



A Division of Northern Vac Services Ltd.
4665 Collier Place
Williams Lake, B.C., V2G-5E0
Phone: (250) 392-3169
Fax: (250) 392-3176
Web: www.grossoprecast.com