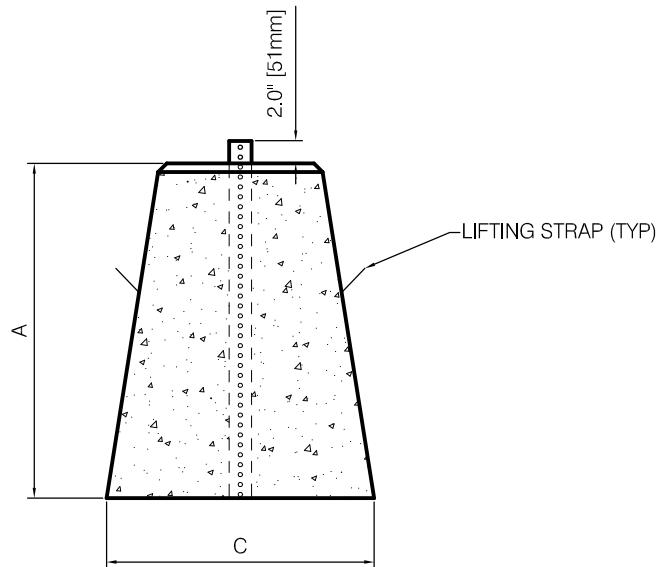


PLAN

Concrete Strength

30mpa @ 28 days.



SECTION

BASE TYPE	APPLICATION	APPROXIMATE MASS	VOLUME OF CONCRETE	A	B	C
a	SINGLE POST SIGNS IN PAVED ISLANDS OR CONCRETE SIDEWALKS	34 kg	0.015 cu.m	400	160	230
b	SINGLE OR TWO POST SIGNS IN GRAVEL SHOULDER UP TO 1.0 x 1.2m	166 kg	0.068 cu.m	470	300	460
c	TWO POST SIGNS IN GRAVEL SHOULDER UP TO 1.0 x 1.2m ≤ 1.2 x 2.4m	390 kg	0.16 cu.m	750	330	600



A Subsidiary of Northern Vac Services Ltd.

P.O. Box 6868
 Fort St. John, B.C., V1J-4J3
 Phone: (250) 785-3382
 Fax: (250) 785-3381
 Email: nvac@shaw.ca

**SIGN POST
 BASE**

Drawn: DVT	Cert #	Dwg No. --	Rev: 0
Date: February 2016	--		



A Division of Northern Vac Services Ltd.

4665 Collier Place
 Williams Lake, B.C., V2G-5E0
 Phone: (250) 392-3169
 Fax: (250) 392-3176
 Web: www.grossoprecast.com