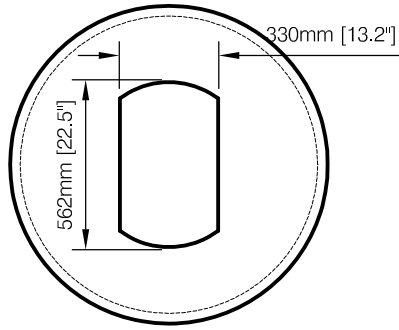
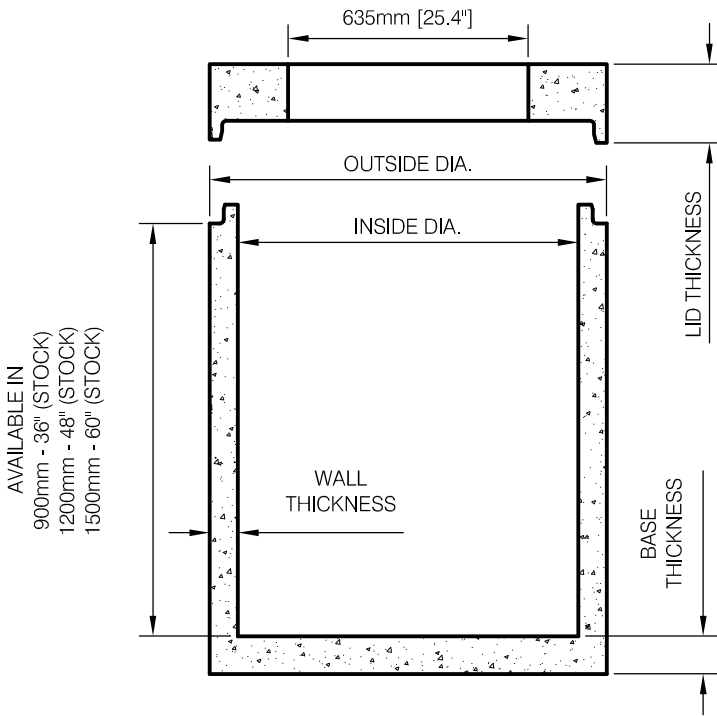
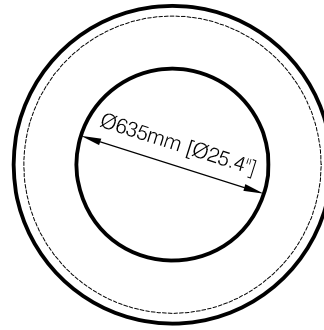


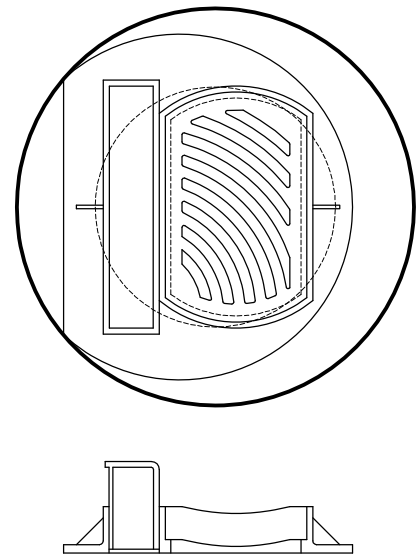
CURB STYLE OPENING FOR USE WITH TR 23 / 24 STYLE FRAME & GRATE AVAILABLE FOR 600Ø, 750Ø & 900Ø CATCHBASINS



STANDARD MANHOLE ACCESS OPENINGS USED FOR CAST IRON FRAMES TR18, TR20 OR TR26B AVAILABLE IN CB/MH 700Ø, 900Ø & 1050Ø



AVAILABLE IN
900mm - 36" (STOCK)
1200mm - 48" (STOCK)
1500mm - 60" (STOCK)



SECTION

NOTE:

1. CATCHBASINS ARE MANUFACTURED TO ASTM C478 STANDARDS.
2. TWO GALV. LIFTING ANCHORS FOR INSTALLATION.
3. 4 x 4 - 10 gauge MESH
4. MONOLITHIC BASE.
5. CUSTOM CORES TO SUIT YOUR NEEDS UPON REQUEST.
6. AVAILABLE WITH TRAPPING HOOD PINS UPON REQUEST.
7. ALSO AVAILABLE SIDE INLET LIDS.

CATCHBASIN SIZES

INSIDE DIAMETER	LID THICKNESS	WALL THICKNESS	BASE THICKNESS	OUTSIDE DIAMETER	WEIGHT
mm - in	mm - in	mm - in	mm - in	mm - in	KG / m
600 - 24	200 - 8	75 - 3	75 - 3	752 - 30	263
750 - 30	200 - 8	75 - 3	75 - 3	900 - 36	583
900 - 36	200 - 8	75 - 3	100 - 4	1050 - 42	703



A Subsidiary of Northern Vac Services Ltd.

P.O. Box 6868
Fort St. John, B.C., V1J-4J3
Phone: (250) 785-3382
Fax: (250) 785-3381
Email: nvac@shaw.ca

CATCHBASINS, LIDS AND SIDE INLET CASTINGS

Drawn:	DVT	Checked by:	CL	Dwg No.	--
Date:	February 2015	Cert #	--	Rev:	1



A Division of Northern Vac Services Ltd.

4665 Collier Place
Williams Lake, B.C., V2G-5E0
Phone: (250) 392-3169
Fax: (250) 392-3176
Web: www.grossoprecast.com