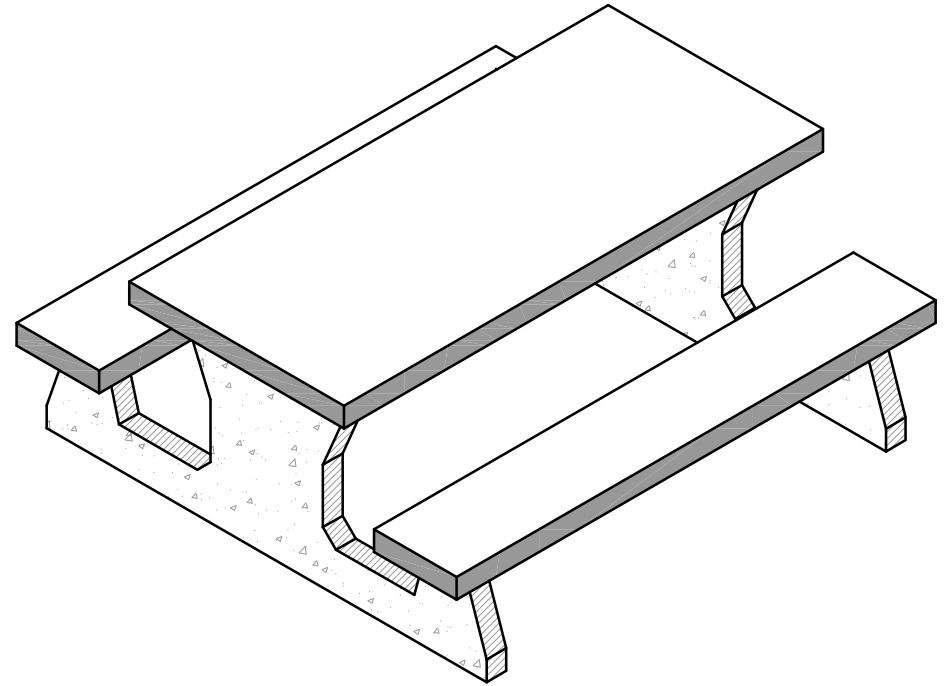
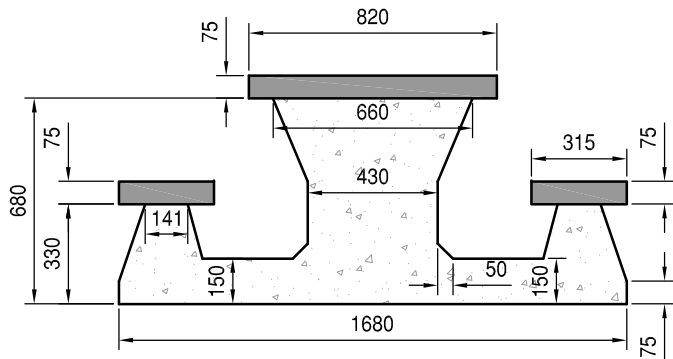


**Top View**



**Ortho View**



**Side View**



A Subsidiary of Northern Vac Services Ltd.

P.O. Box 6868  
 Fort St. John, B.C., V1J-4J3  
 Phone: (250) 785-3382  
 Fax: (250) 785-3381  
 Email: nvac@shaw.ca

Project:

**Concrete Exposed Aggregate Picnic Table**

Drawn:	DVT	Checked by:	TF	Dwg No.	---
Date:	May 2020	Cert #	—	Rev:	0



A Division of Northern Vac Services Ltd.

4665 Collier Place  
 Williams Lake, B.C., V2G-5E0  
 Phone: (250) 392-3169  
 Fax: (250) 392-3176  
 Web: www.grossoprecast.com