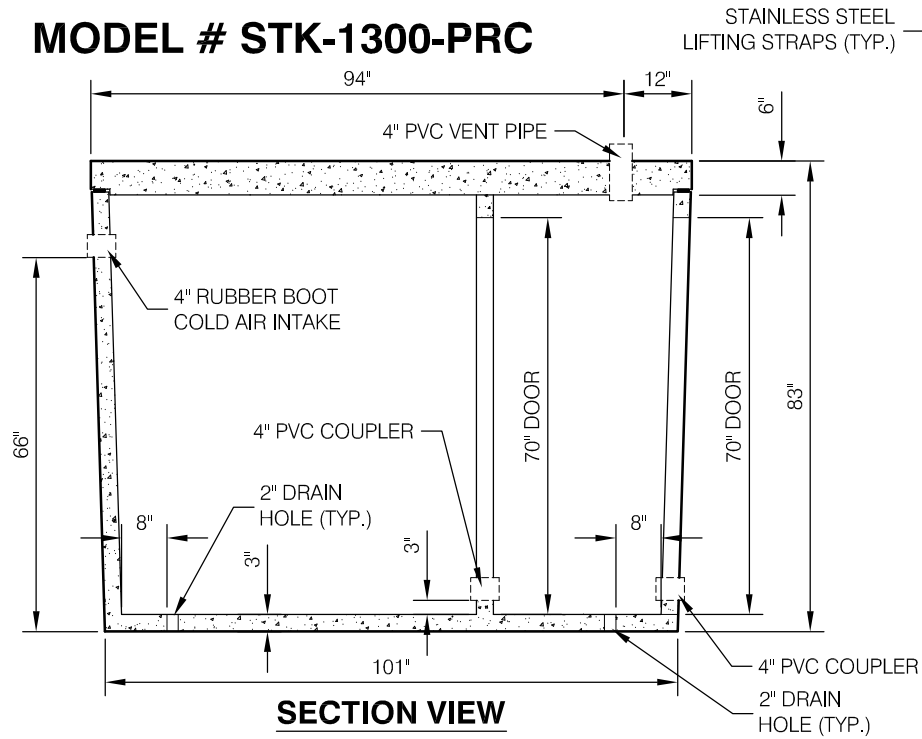
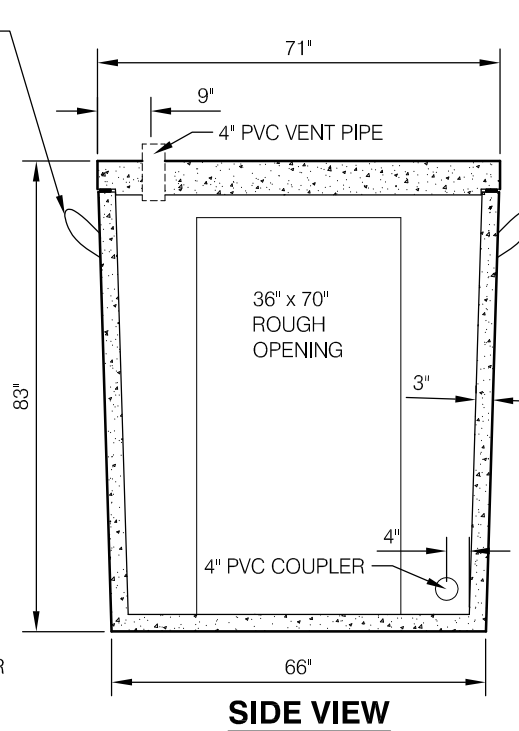


# MODEL # STK-1300-PRC



**SECTION VIEW**



**SIDE VIEW**

## Design Data

- 1st COMP - 89 cu ft
- 2nd COMP - 180 cu ft
- TOTAL - 269 cu ft

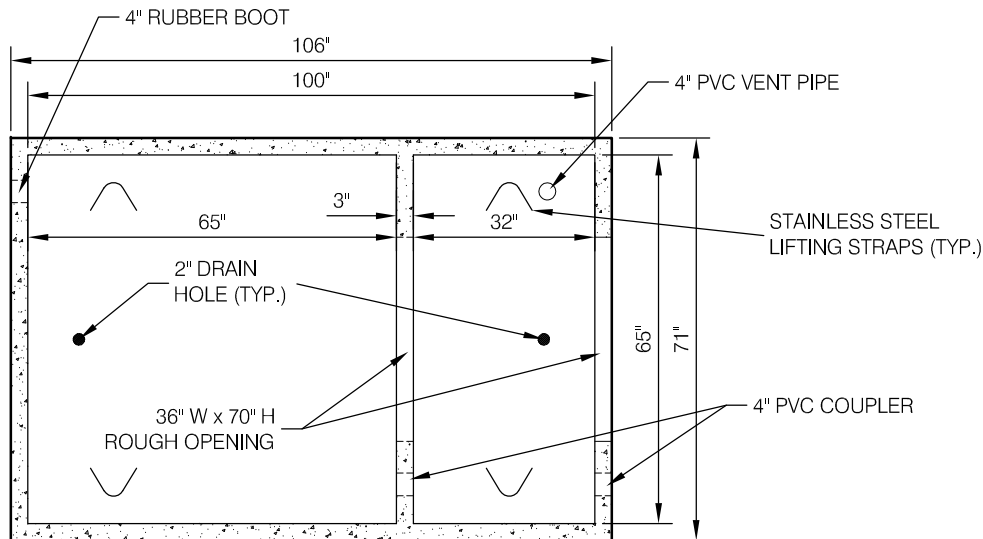
- GASKET - 1" Conseal non toxic
- VENT POLY-LOK RUBBER BOOT
- 2 - 3" PVC VENT COUPLERS

## Concrete Strength

30mpa @ 28 days.  
USE IN SULPHATE & NON  
SULPHATE SOILS.

## Dimensions

- WIDTH: 71"
- LENGTH: 106"
- HEIGHT: 83"
- INLET: 66"
- OUTLET: 64"



**TOP VIEW**

STANDARD LIDS ARE RATED FOR 1.0m OF COVER WITH A SAFETY FACTOR OF 2.1. DEEPER BURIAL REQUIRES CONSULTATION BY GROSSO PRE-CAST.



A Subsidiary of Northern Vac Services Ltd.

P.O. Box 6868  
Fort St. John, B.C., V1J-4J3  
Phone: (250) 785-3382  
Fax: (250) 785-3381  
Email: nvac@shaw.ca



A Division of Northern Vac Services Ltd.

4665 Collier Place  
Williams Lake, B.C., V2G-5E0  
Phone: (250) 392-3169  
Fax: (250) 392-3176  
Web: www.grossoconcrete.com

**2-COMP PRECAST ROOT CELLAR**  
**LID 4,000 lbs: TANK 9,500 lbs:**  
**TOTAL 13,500 lbs**

Drawn: DVT	Checked by: CL	Dwg No.
Date: December 11 / 2021	Cert #	Rev: 1