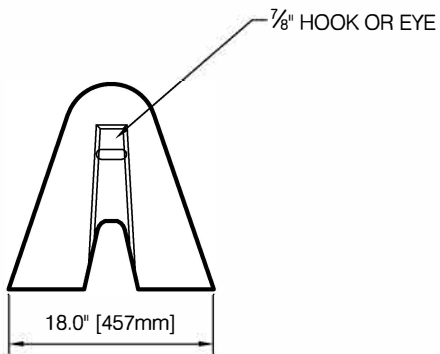
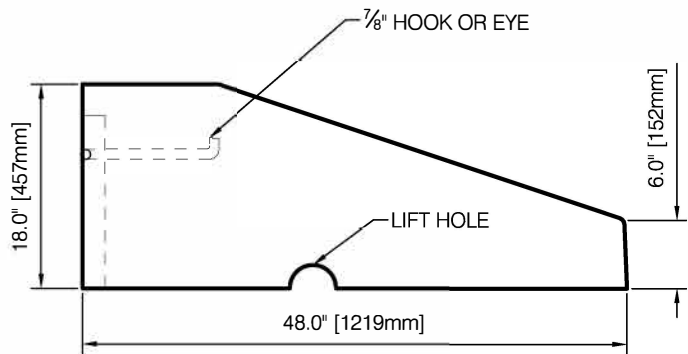


**ISOMETRIC VIEW**



**END VIEW**



**SIDE VIEW**

**Notes:**

1. 32 MPa @ 28 days.
2. MANUFACTURED AS PER MOT SECTION 941
3. CURB MAY BE PRODUCED WITHOUT HOOK & EYE CONNECTIONS



A Subsidiary of Northern Vac Services Ltd.

P.O. Box 6868  
 Fort St. John, B.C., V1J-4J3  
 Phone: (250) 785-3382  
 Fax: (250) 785-3381  
 Email: nvac@shaw.ca

**BULLNOSE CBN-1  
 MALE & FEMALE  
 722 lbs**

Drawn:	DVT	Checked by:	CL	Dwg No.	910
Date:	March 2016	Cert #	---	Rev:	0



A Division of Northern Vac Services Ltd.

4665 Collier Place  
 Williams Lake, B.C., V2G-5E0  
 Phone: (250) 392-3169  
 Fax: (250) 392-3176  
 Web: www.grossoconcrete.com