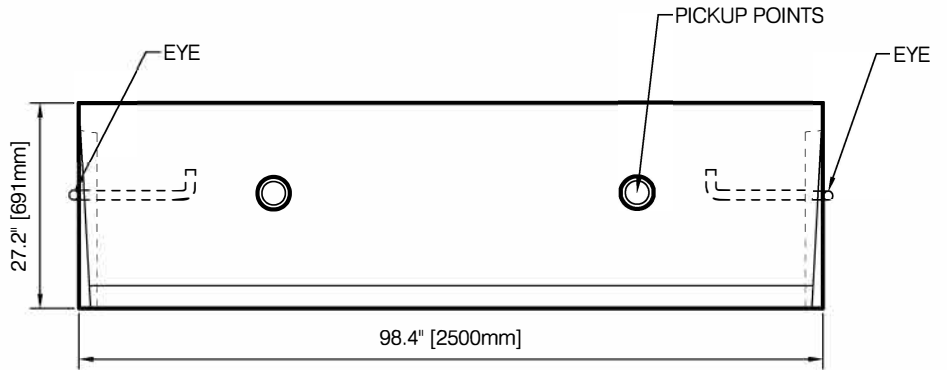
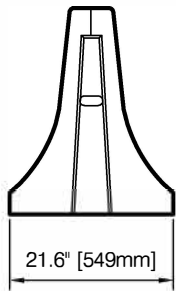
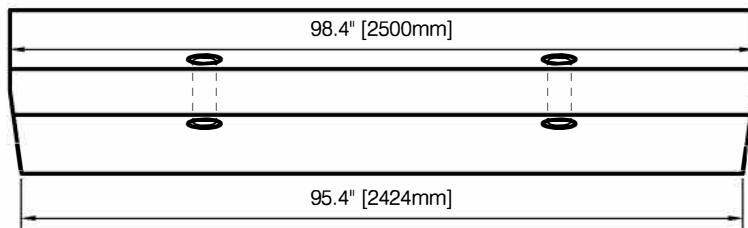


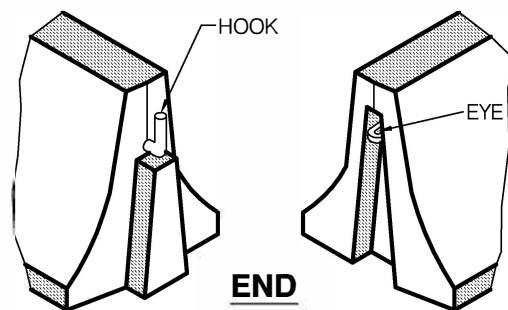
**MALE BARRIER  
SIDE VIEW**



**FEMALE BARRIER  
SIDE VIEW**



**PLAN VIEW**



**END  
DETAILS**

**Concrete Strength**

32 MPa @ 28 days.  
MANUFACTURED AS PER MOT SECTION 941



A Subsidiary of Northern Vac Services Ltd.

P.O. Box 6868  
Fort St. John, B.C., V1J-4J3  
Phone: (250) 785-3382  
Fax: (250) 785-3381  
Email: nvac@shaw.ca

**TIGHT RADIUS BARRIER  
CRB-690  
MALE & FEMALE  
2901 lbs**

Drawn: DVT	Checked by: CL	Dwg No. 925TR
Date: February 2016	Cert # ---	Rev: 0



A Division of Northern Vac Services Ltd.

4665 Collier Place  
Williams Lake, B.C., V2G-5E0  
Phone: (250) 392-3169  
Fax: (250) 392-3176  
Web: www.grossoconcrete.com