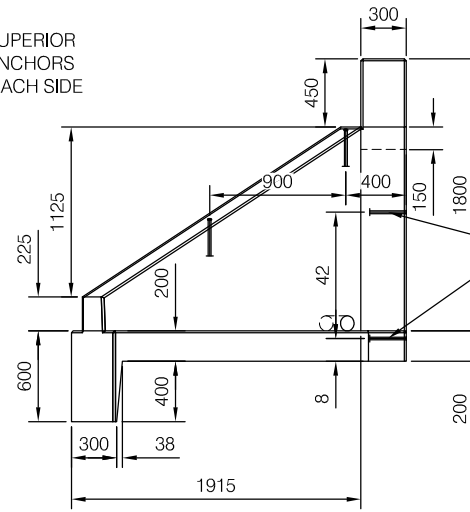
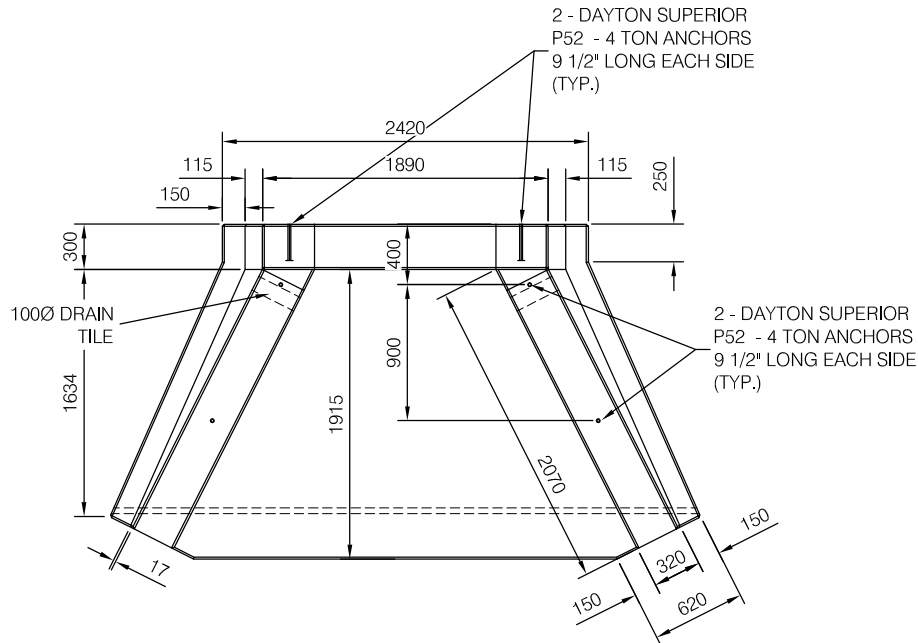
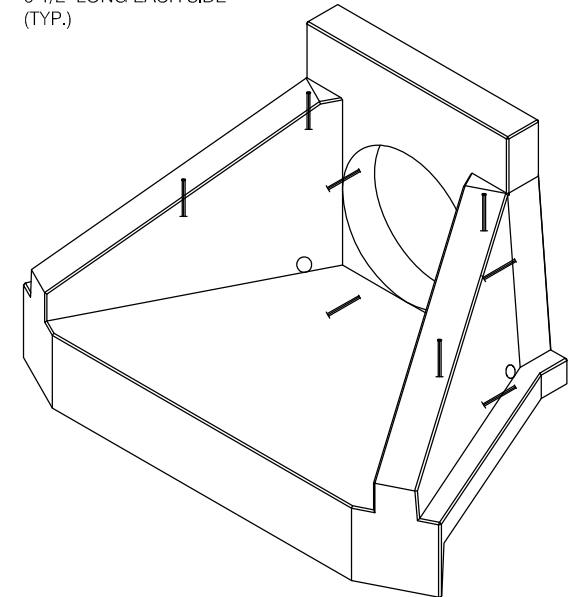


SECTION VIEW



SIDE VIEW



TOP VIEW

NOTE:
 8 - DAYTON SUPERIOR
 P52 - 4 TON ANCHORS
 9 1/2" LONG REQUIRED (TYP.)

Concrete Strength

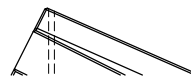
- 32mpa @ 28 days
- Exposure class S-2
- 1/2" chamfer on all exposed edges
- 20,000lbs (9,072kg) ~3.8cu/m
- 21 Mpa @ stripping



P.O. Box 6868
 Fort St. John, B.C., V1J-4J3
 Phone: (250) 785-3382
 Fax: (250) 785-3381
 Email: www.wilsonconcrete.ca

4665 Collier Place
 Williams Lake, B.C., V2G-5E0
 Phone: (250) 392-3169
 Fax: (250) 392-3176
 Web: www.grossoconcrete.com

MOTI SP303-02
CONCRETE HEADWALL
2800mm x 1800mm TALL



Drawn: DVT	Checked by: AD / CL	Dwg No.
Date: May 12 / 2023	Cert #	Rev: 3